

Cabel type A: min. 3x1.5 mm²
 Cabel type B: min. 4x0.75 mm²
 Cabel type C: min. 3x0.8 mm
 Cabel type D: min. 2x0.8 mm (shielded)
 Cabel type E: min. 2x0.8 mm

- M Motor
- B Local switch
- G Group switch
- ZL Zone lock / key switch

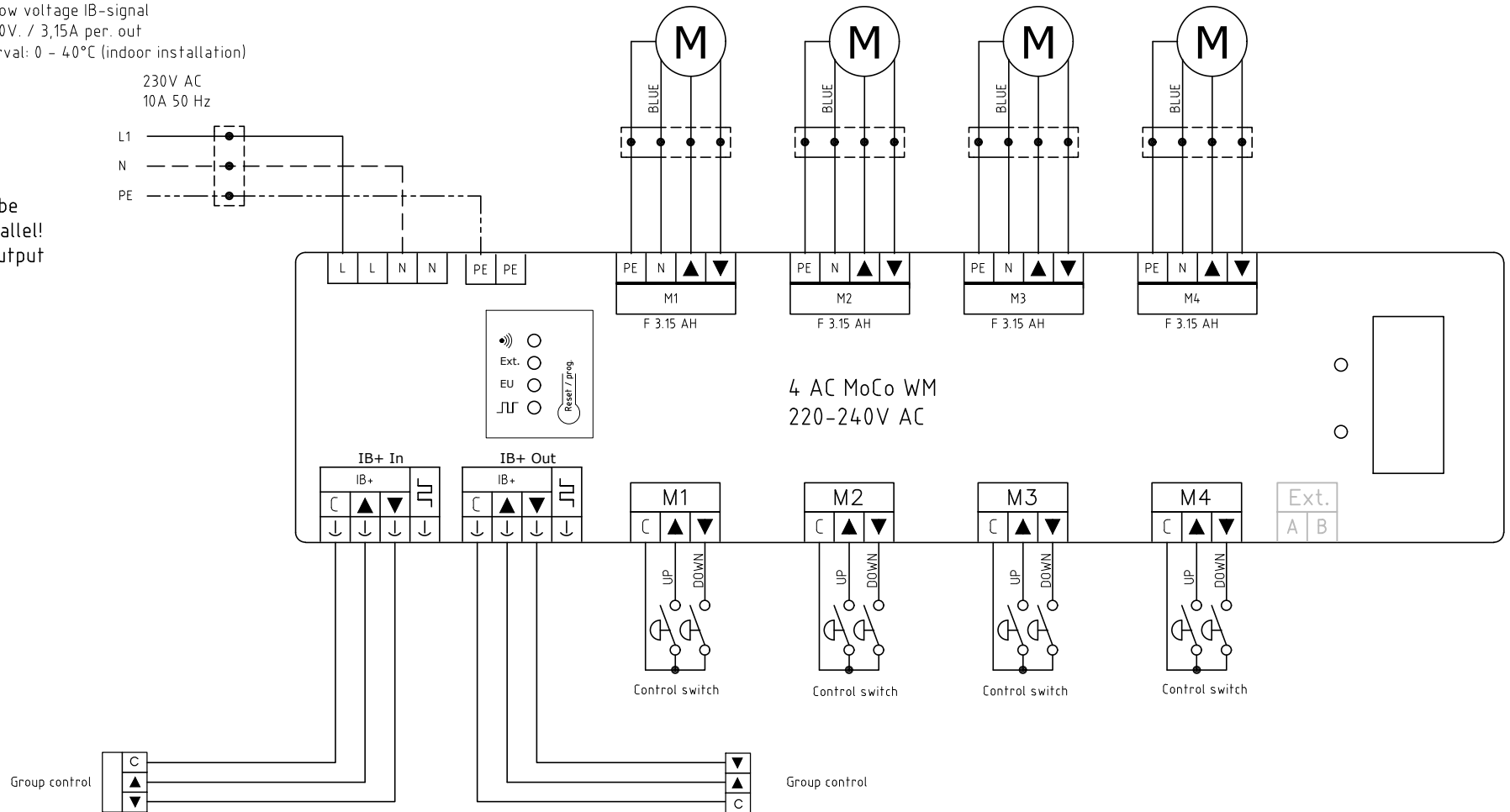
Control station must be supplied from separate group.
 The installation must be performed in accordance with the machine directive.

sunsync ™		Marketed by: Blendex A/S Fischer-international		www.blendex.dk www.fischer-international.dk	
Product: Principle diagram Sunsync 110C				Revision	Product nr.:
Type		Scale:	A: 07.11.16	STANDARD	
Overview MoCo		Date 23.02.16	B:		
		Sign.: KS	C:		
				D:	Drawing nr
				E:	110C-01A


Data:

1. Voltage: 230V / 10A 50Hz
2. Control voltage: Low voltage IB-signal
3. Motor out max. 250V / 3,15A per. out
4. Temperature interval: 0 - 40°C (indoor installation)

Notice!
Motors may not be
connected in parallel!
One motor per output
only!



Control station must be supplied from separate group.
The installation must be performed in accordance with the machine directive.

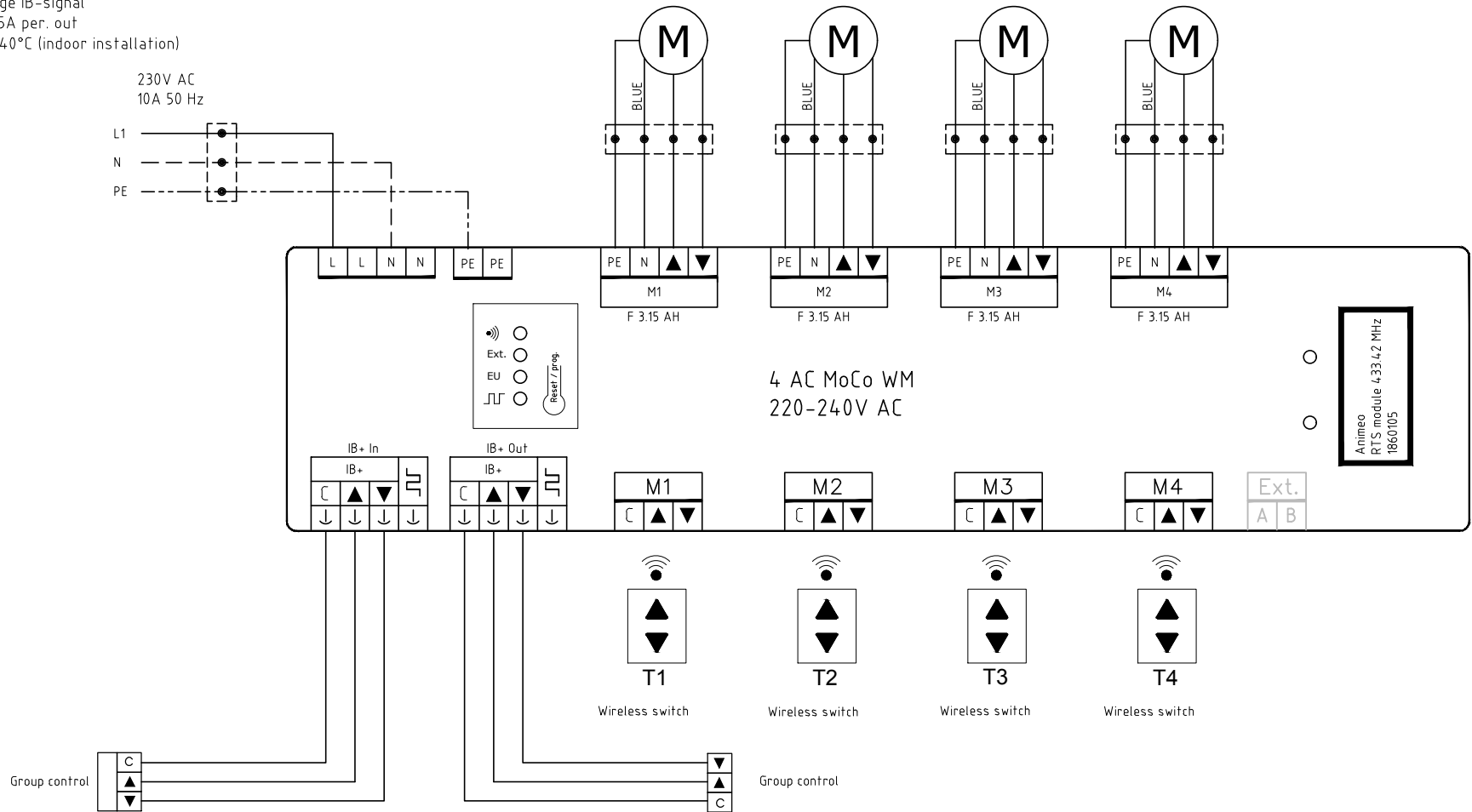
		Marketed by:	
		Blendex A/S Fischer-international www.blendex.dk www.fischer-international.pl	
Product: Principle diagram Sunsync 110C			
Type	Scale:	Revision	Product nr.:
Connection diagram relay box MoCo	Date 23.02.16	A: 07.11.16	STANDARD
	Sign.: KS	B:	
			C:
		D:	110C-02A
		E:	

Data:

1. Voltage: 230V / 10A 50Hz
2. Control voltage: Low voltage IB-signal
3. Motor out max. 250V / 3,15A per. out
4. Temperature interval: 0 - 40°C (indoor installation)

Notice!

Motors may not be connected in parallel!
One motor per output only!



Control station must be supplied from separate group.
The installation must be performed in accordance with the machine directive.

sunsync™

Marketed by:

Blendex A/S
Fischer-international

www.blendex.dk
www.fischer-international.de

Product: Principle diagram Sunsync 110C

Type
Connection diagram MoCo RTS

Scale:
Date 23.02.16
Sign.: KS

Revision
A: 07.11.16
B:
C:
D:
E:

Product nr.:

STANDARD

Drawing nr

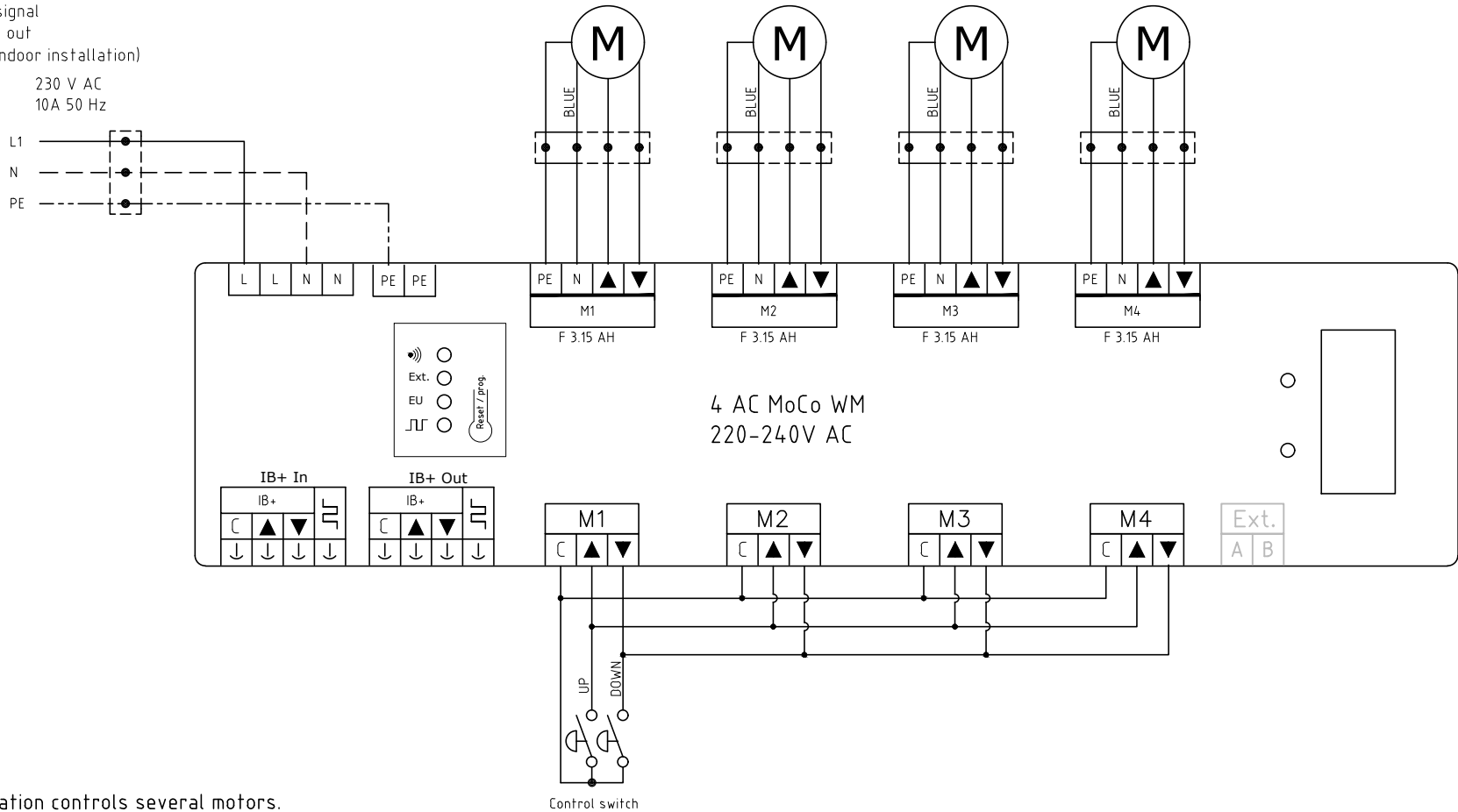
110C-03A

Data:

1. Voltage: 230V./ 10A 50Hz
2. Control voltage: Low voltage IB-signal
3. Motor out max. 250V. / 3,15A per. out
4. Temperature interval: 0 - 40°C (indoor installation)


230 V AC
10A 50 Hz

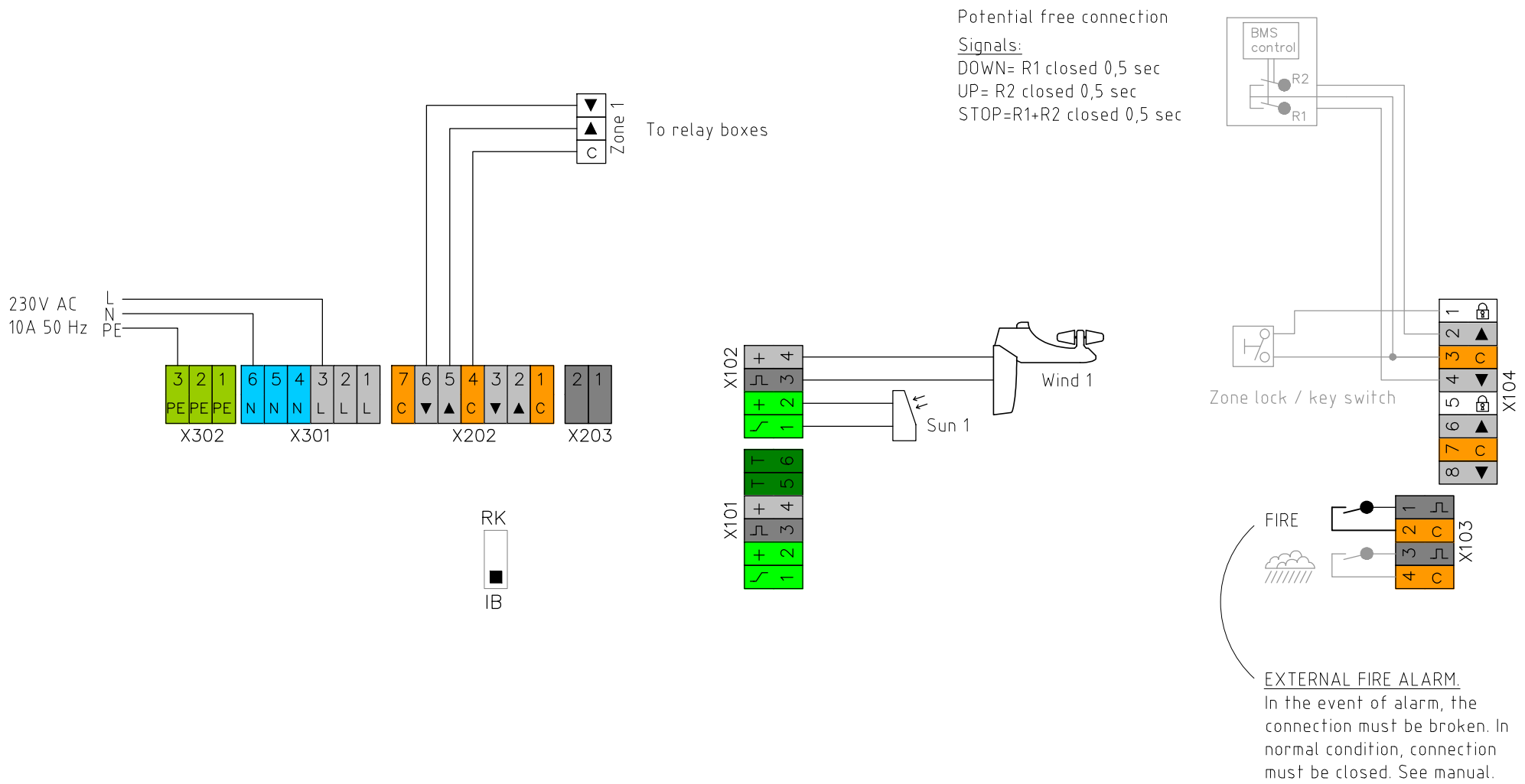
Notice!
Motors may not be
connected in parallel!
One motor per output
only!



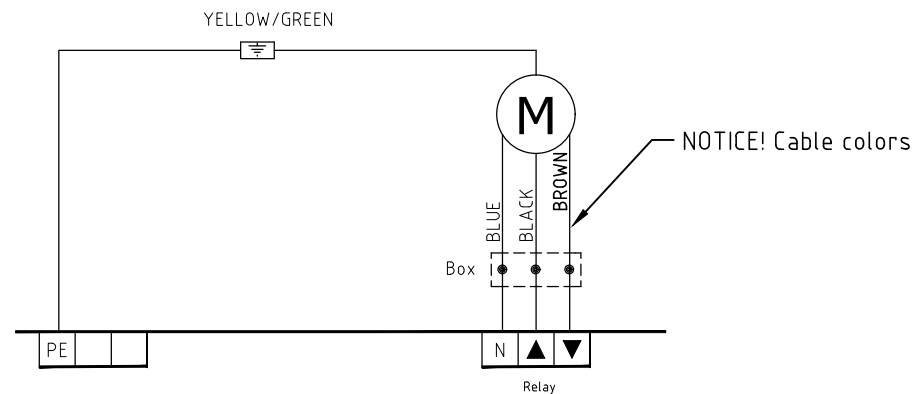
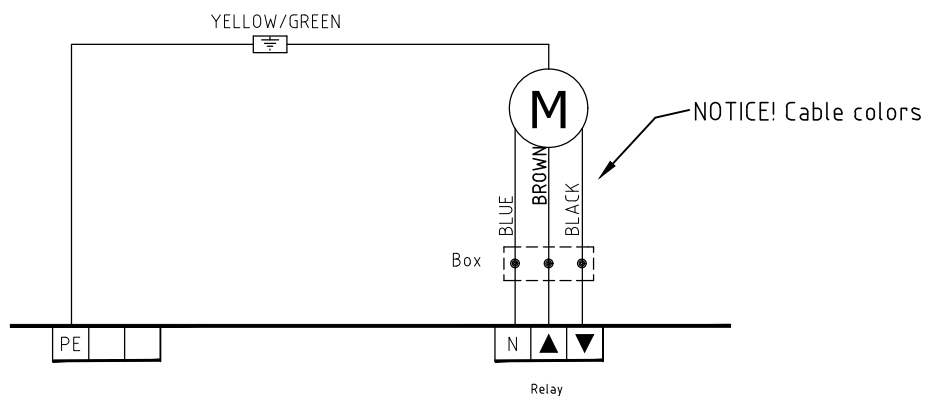
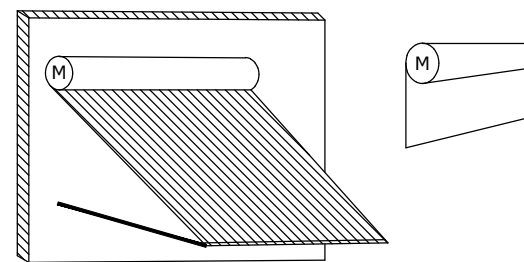
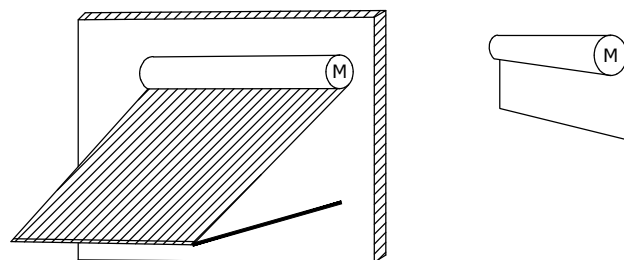
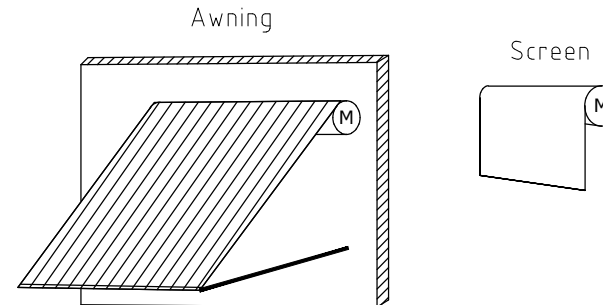
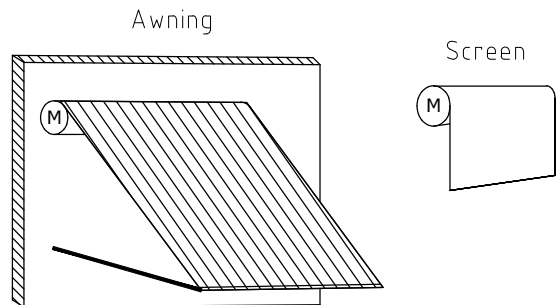
If up/down activation controls several motors.

Control station must be supplied from
separate group.
The installation must be performed in
accordance with the machine directive.

		Marketed by:		Product nr.:	
		Blendex A/S Fischer-international		STANDARD	
Product: Principle diagram Sunsync 110C			Revision		Drawing nr 110C-04A
Type		Scale:		A: 07.11.16	
Up/down jumper connection		Date 23.02.16		B:	
		Sign.: KS		C:	
				D:	
				E:	



		Marketed by:		Revision A: 07.11.16 B: C: D: E:	Product nr.: STANDARD
		Blendex A/S Fischer-international			
Product: Principle diagram Sunsync 110C				Scale:	
Type Connection diagram		Date 23.02.16		Sign.: KS	
Control station solo 1					



sunsync™

Marketed by:

Blendex A/S
Fischer-international

www.blendex.dk
www.fischer-international.de

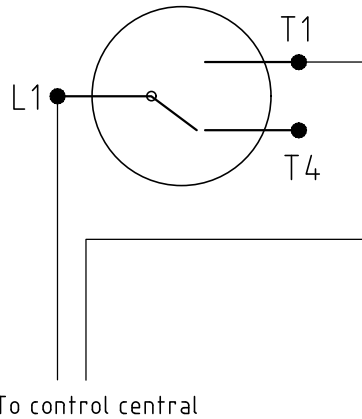
Product: Principle diagram Sunsync 110C

Type
Motor connection in relay
Examples, different motor sides etc

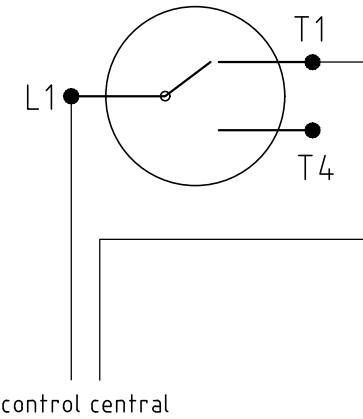
Scale:
Date 23.02.16
Sign.: KS

Revision
A: 07.11.16
B:
C:
D:
E:

Product nr.:
STANDARD
Drawing nr
110C-06A



Zone lock / key switch in normal position



Zone lock / key switch in blocked position
Lock excl. Blendex

sunsync™

Marketed by:

Blendex A/S
Fischer-international

www.blendex.dk
www.fischer-international.dk

Product: Principle diagram Sunsync 110C

Revision

Product nr.:

Type

Scale:

A: 07.11.16

STANDARD

Connection diagram Zone lock /
Key switch

Date 23.02.16

C:

Drawing nr

Sign.: KS

D:

110C-07A

E: