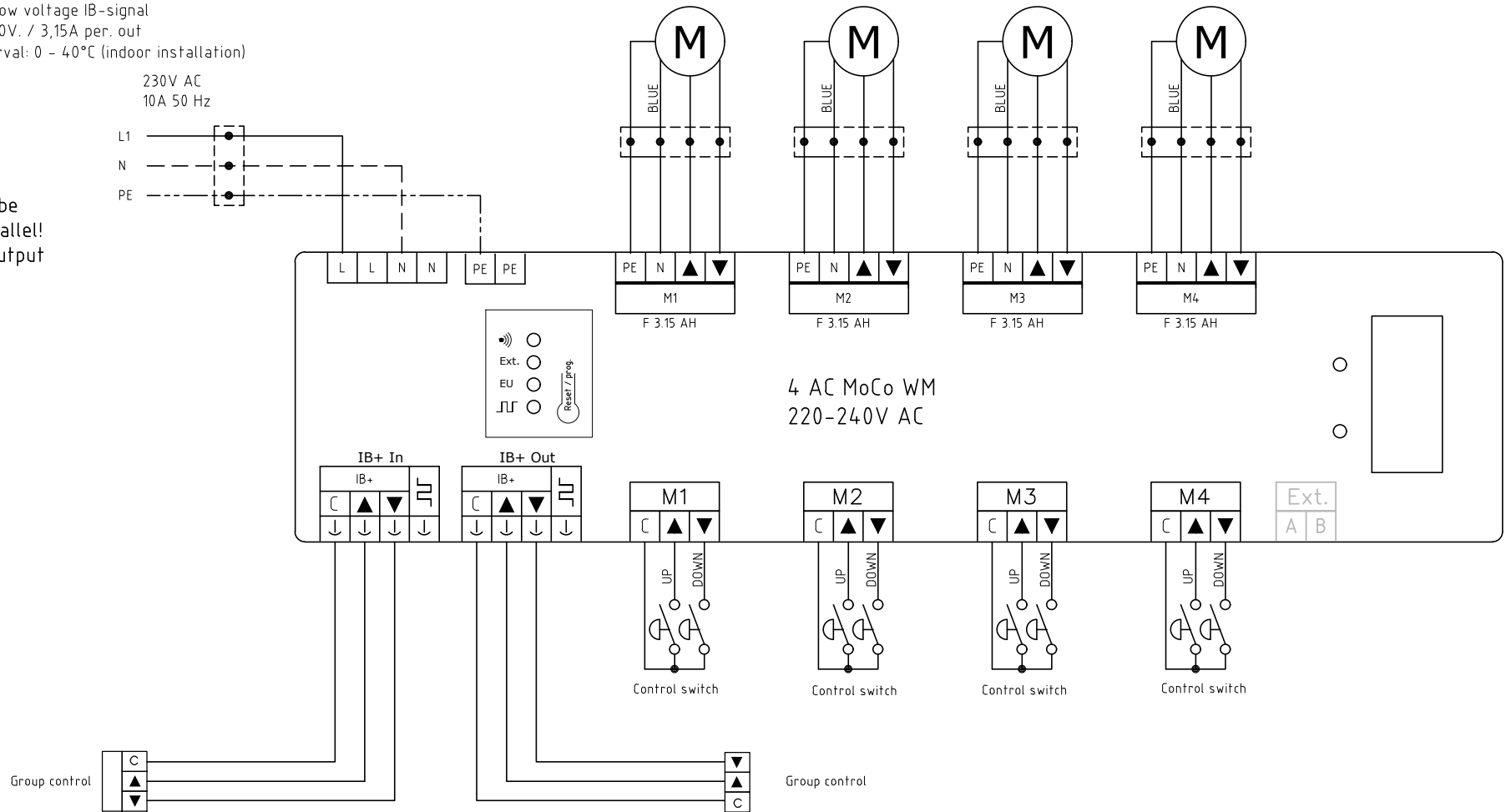


Data:

1. Voltage: 230V./ 10A 50Hz
2. Control voltage: Low voltage IB-signal
3. Motor out max. 250V. / 3,15A per. out
4. Temperature interval: 0 - 40°C (indoor installation)

Notice!
Motors may not be
connected in parallel!
One motor per output
only!



Control station must be supplied from separate group.

The installation must be performed in accordance with the machine directive.

sunsync™

Marketed by:

Blendex A/S
Fischer-international

www.blendex.dk
www.fischer-international.de

Product: Principle diagram Sunsync 120C

Type
Connection diagram relay box MoCo

Scale:
Date 23.02.16
Sign.: KS

Revision
A: 07.11.16
B:
C:
D:
E:

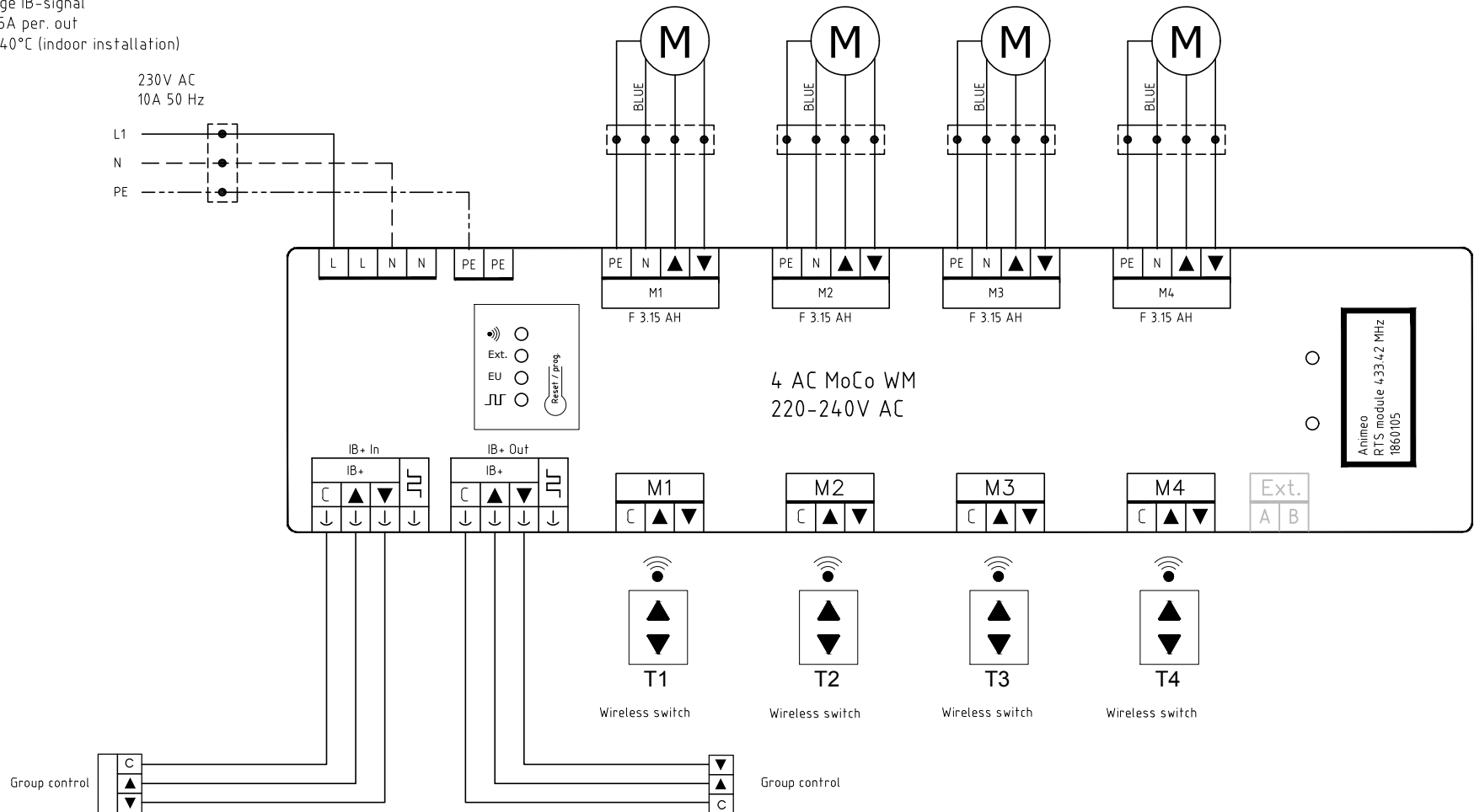
Product nr.:
STANDARD
Drawing nr
120C-02A

Data:

1. Voltage: 230V./ 10A 50Hz
2. Control voltage: Low voltage IB-signal
3. Motor out max. 250V./ / 3,15A per. out
4. Temperature interval: 0 - 40°C (indoor installation)

Notice!

Motors may not be connected in parallel!
One motor per output only!



Control station must be supplied from separate group.

The installation must be performed in accordance with the machine directive.

sunsync™

Marketed by:

Blendex A/S
Fischer-international

www.blendex.dk
www.fischer-international.de

Product: Principle diagram Sunsync 120C

Type
Connection diagram MoCo RTS

Scale:
Date 23.02.16
Sign.: KS

Revision
A: 07.11.16
B:
C:
D:
E:

Product nr.:

STANDARD

Drawing nr

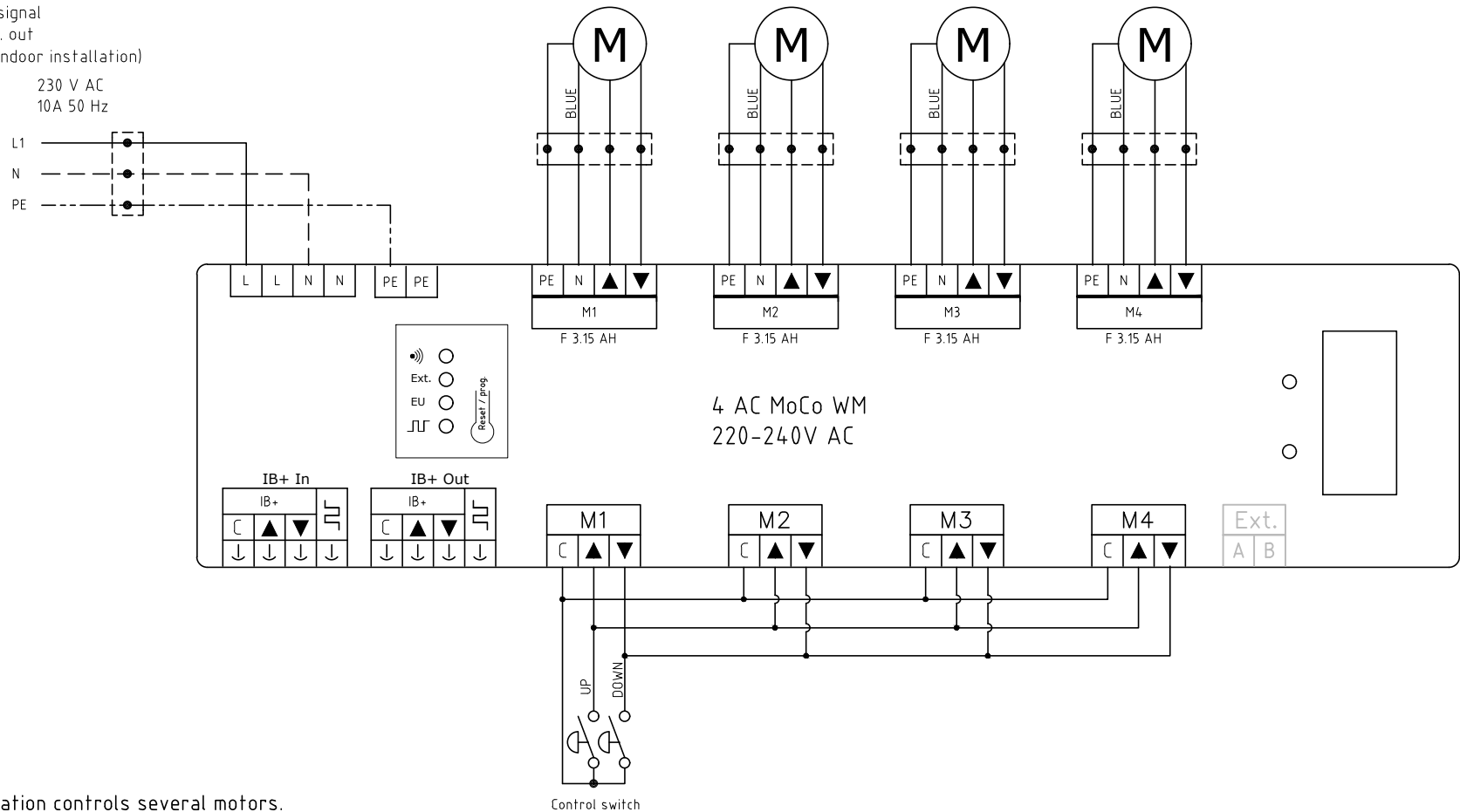
120C-03A

Data:

1. Voltage: 230V./ 10A 50Hz
2. Control voltage: Low voltage IB-signal
3. Motor out max. 250V. / 3,15A per. out
4. Temperature interval: 0 - 40°C (indoor installation)

230 V AC
10A 50 Hz

Notice!
Motors may not be
connected in parallel!
One motor per output
only!



If up/down activation controls several motors.

Control station must be supplied from separate group.

The installation must be performed in accordance with the machine directive.

sunsync™

Marketed by:

Blendex A/S
Fischer-international

www.blendex.dk
www.fischer-international.de

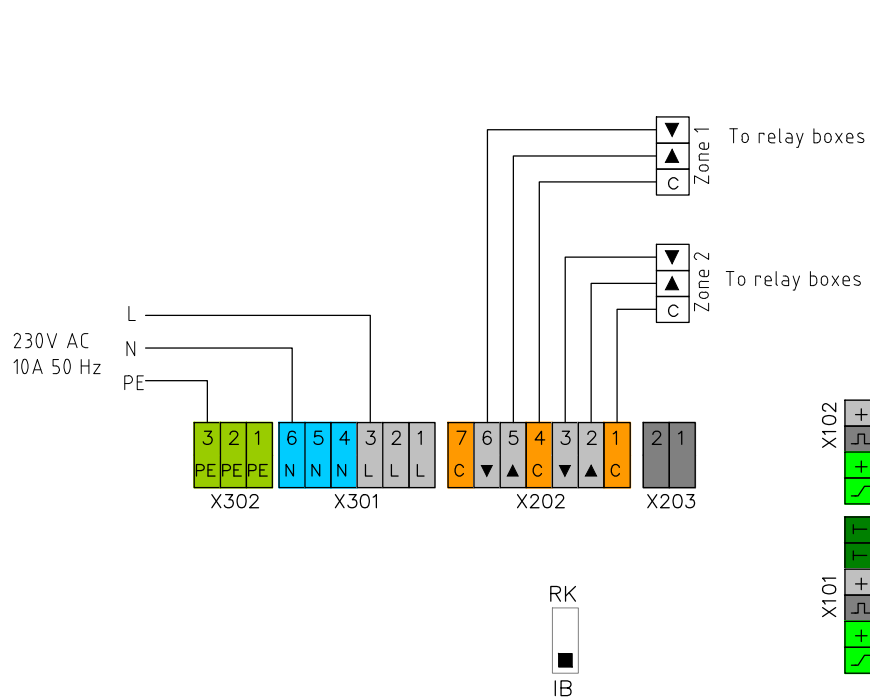
Product: Principle diagram Sunsync 120C

Type
Up/down jumper connection

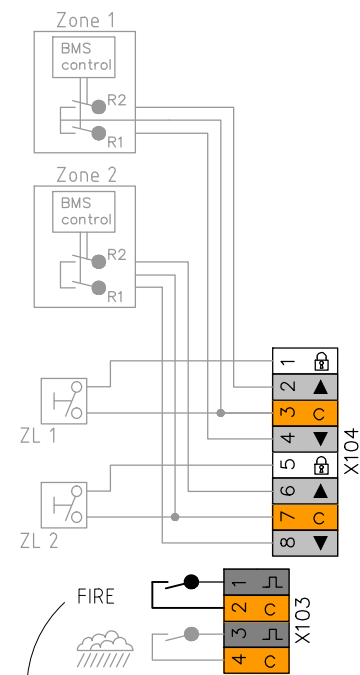
Scale:
Date 23.02.16
Sign.: KS

Revision
A: 07.11.16
B:
C:
D:
E:

Product nr.:
STANDARD
Drawing nr
120C-04A

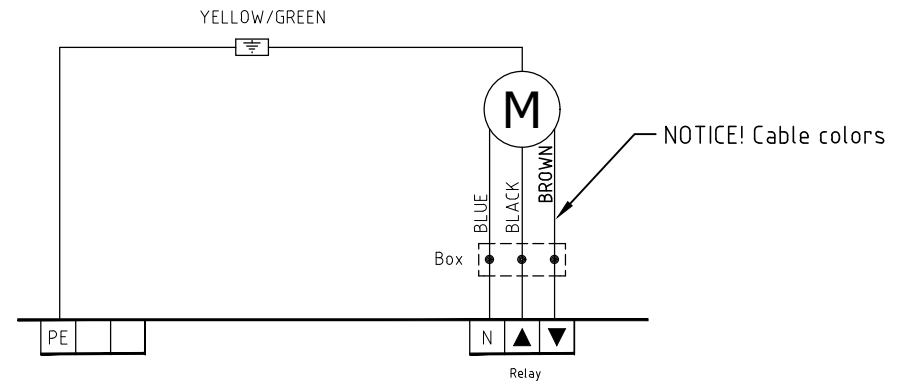
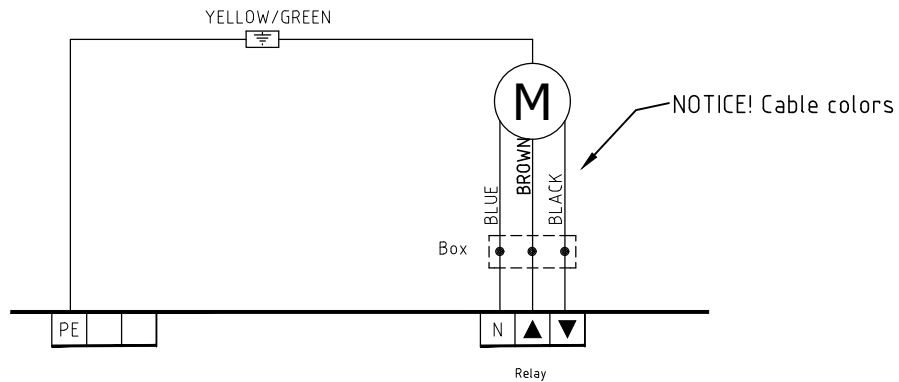
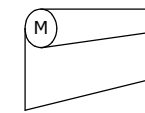
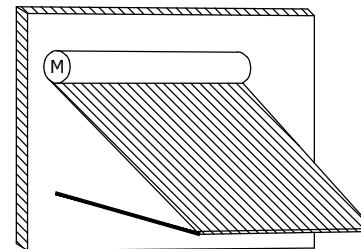
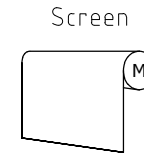
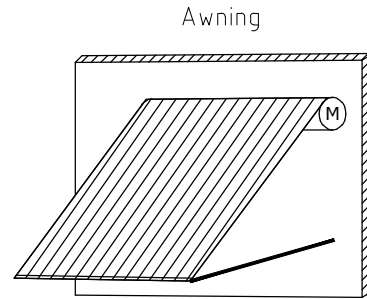
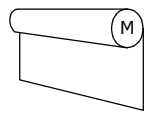
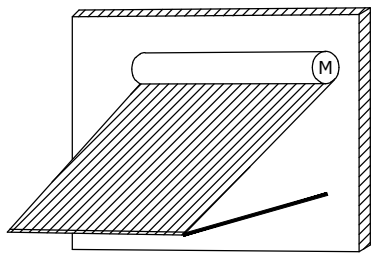
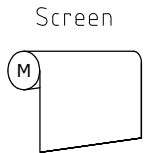
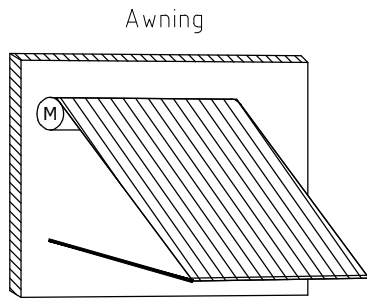


Potential free connection
Signals:
 DOWN= R1 closed 0,5 sec
 UP= R2 closed 0,5 sec
 STOP=R1+R2 closed 0,5 sec



EXTERNAL FIRE ALARM.
 In the event of alarm, the connection must be broken. In normal condition, connection must be closed. See manual.

		Marketed by:	
		Blendex A/S Fischer-international	
Product: Principle diagram Sunsync 120C		Revision	
Type		A: 07.11.16	
Connection diagram		B:	
Control station Solo 2		C:	
Scale:		D:	
Date 23.02.16		E:	
Sign.: KS		Product nr.:	
		STANDARD	
		Drawing nr	
		120C-05A	



sunsync™

Marketed by:

Blendex A/S
Fischer-international

www.blendex.dk
www.fischer-international.de

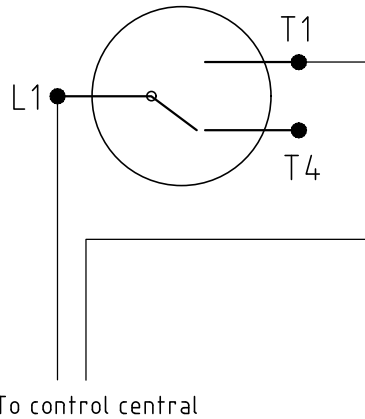
Product: Principle diagram Sunsync 120C

Type
Motor connection in relay
Examples, different motor sides etc

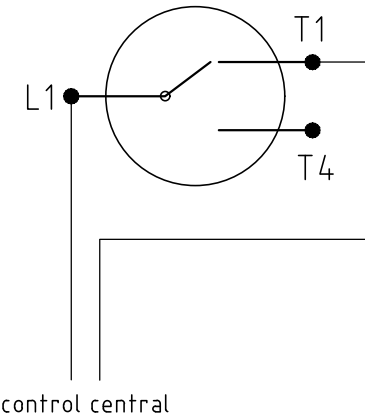
Scale:
Date 23.02.16
Sign.: KS

Revision
A: 07.11.16
B:
C:
D:
E:

Product nr.:
STANDARD
Drawing nr.
120C-06A



Zone lock / key switch in normal position



Zone lock / key switch in blocked position
Lock excl. Blendex

sunsync™

Marketed by:

Blendex A/S
Fischer-international

www.blendex.dk
www.fischer-international.dk

Product: Principle diagram Sunsync 120C

Revision

Product nr.:

Type

Scale:

A: 07.11.16

STANDARD

Connection diagram Zone lock /
Key switch

Date 23.02.16

C:

Drawing nr

Sign.: KS

D:

120C-07A

E: