

- Cabel type A: min. 3x1.5 mm²
- Cabel type B: min. 4x0.75 mm²
- Cabel type C: min. 3x0.8 mm
- Cabel type D: min. 2x0.8 mm (shielded)
- Cabel type E: min. 2x0.8 mm
- Cable type G: min. 4x0.8 mm
- Cable type H: min. 6x0.8 mm (shielded)

Control station must be supplied from separate group.
 The installation must be performed in accordance with the machine directive.

sunsync ™		Marketed by: Blendex A/S Fischer-international	
Product: Principle diagram Sunsync 140		www.blendex.dk www.fischer-international.com	Revision A: 07.11.16 B: C: D: E:
Type Overview 4 zones	Scale: Date 23.02.16 Sign.: KS	Product nr.: STANDARD Drawing nr 140-01A	

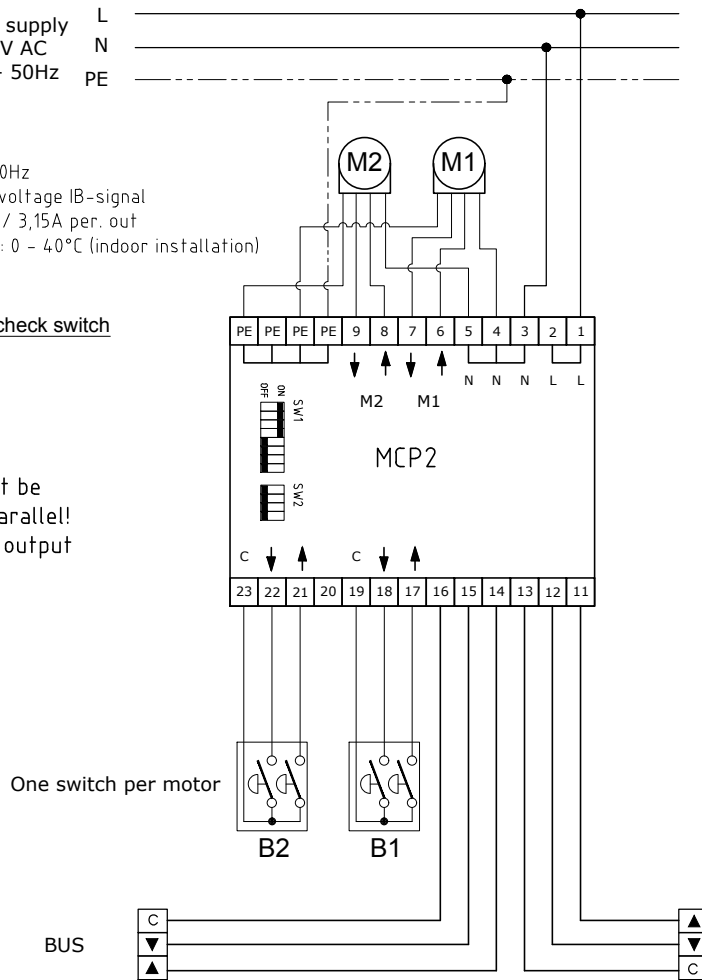
Power supply L
230V AC
10A - 50Hz N
PE

Data:

1. Voltage: 230V./ 10A 50Hz
2. Control voltage: Low voltage IB-signal
3. Motor out max. 250V. / 3,15A per. out
4. Temperature interval: 0 - 40°C (indoor installation)

Notice! Remember to check switch settings!!

Notice!
Motors may not be connected in parallel!
One motor per output only!



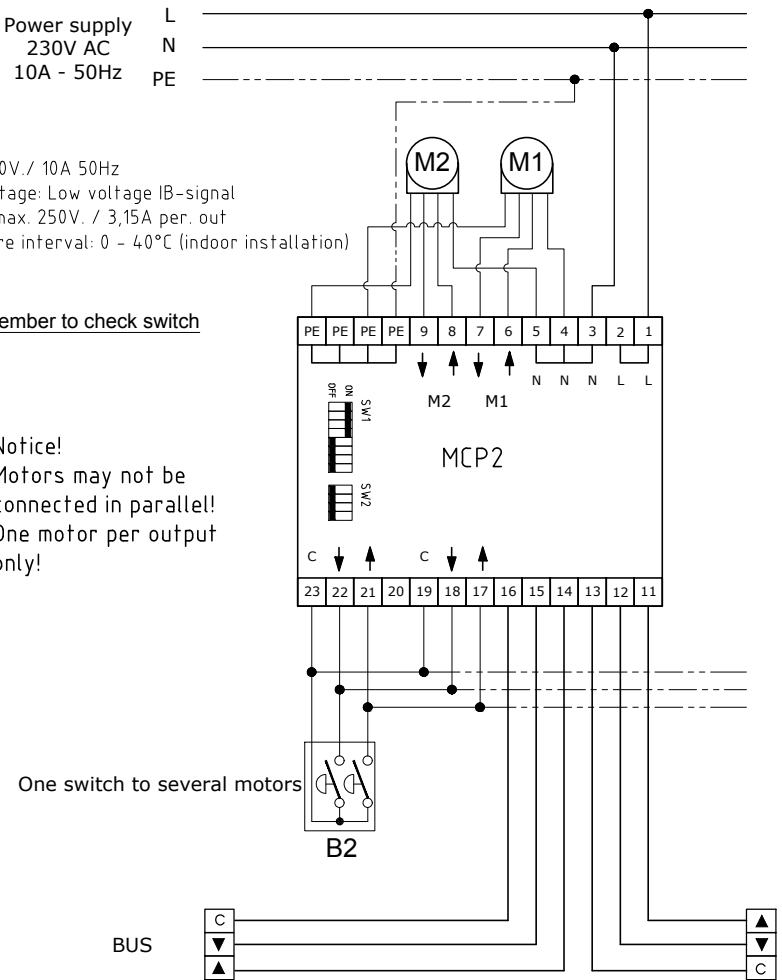
Power supply L
230V AC
10A - 50Hz N
PE

Data:

1. Voltage: 230V./ 10A 50Hz
2. Control voltage: Low voltage IB-signal
3. Motor out max. 250V. / 3,15A per. out
4. Temperature interval: 0 - 40°C (indoor installation)

Notice! Remember to check switch settings!!

Notice!
Motors may not be connected in parallel!
One motor per output only!



Control station must be supplied from separate group.
The installation must be performed in accordance with the machine directive.

sunsync™

Marketed by:

Blendex A/S
Fischer-international

www.blendex.dk
www.fischer-international.de

Product: Principle diagram Sunsync 140

Type
Connection diagram relay box MCP2

Scale:
Date 23.02.16
Sign.: KS

Revision
A: 12.01.17
B:
C:
D:
E:

Product nr.:

STANDARD

Drawing nr

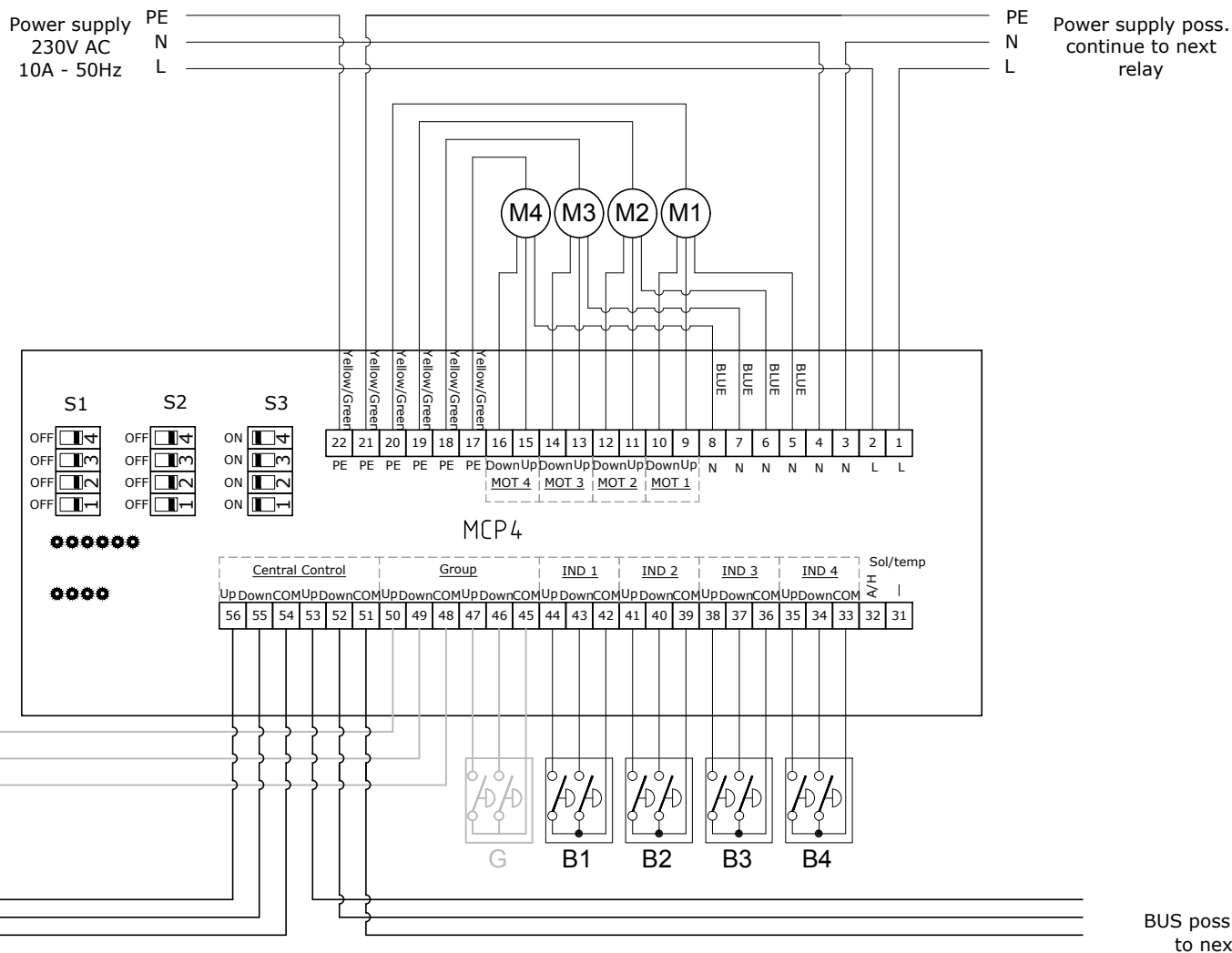
140-02A

- Data:
1. Voltage: 230V./ 10A 50Hz
 2. Control voltage: Low voltage IB-signal
 3. Motor out max. 250V. / 3,15A per. out
 4. Temperature interval: 0 - 40°C (indoor installation)

Notice!
Motors may not be connected in parallel!
One motor per output only!

Notice! Remember to check switch settings!!

Switch S1				
Mode	1	2	3	4
Normal	OFF	OFF	OFF	OFF
IDS	ON	OFF	OFF	ON



Group switch poss. continue to next relay

BUS

BUS poss. continue to next relay

Control station must be supplied from separate group.
The installation must be performed in accordance with the machine directive.

sunsync™

Marketed by:

Blendex A/S
Fischer-international

www.blendex.de
www.fischer-international.de

Product: Principle diagram Sunsync 140

Type
Connection diagram relay box MCP4

Scale:
Date 23.02.16
Sign.: KS

Revision
A: 07.11.16
B:
C:
D:
E:

Product nr.:

STANDARD

Drawing nr

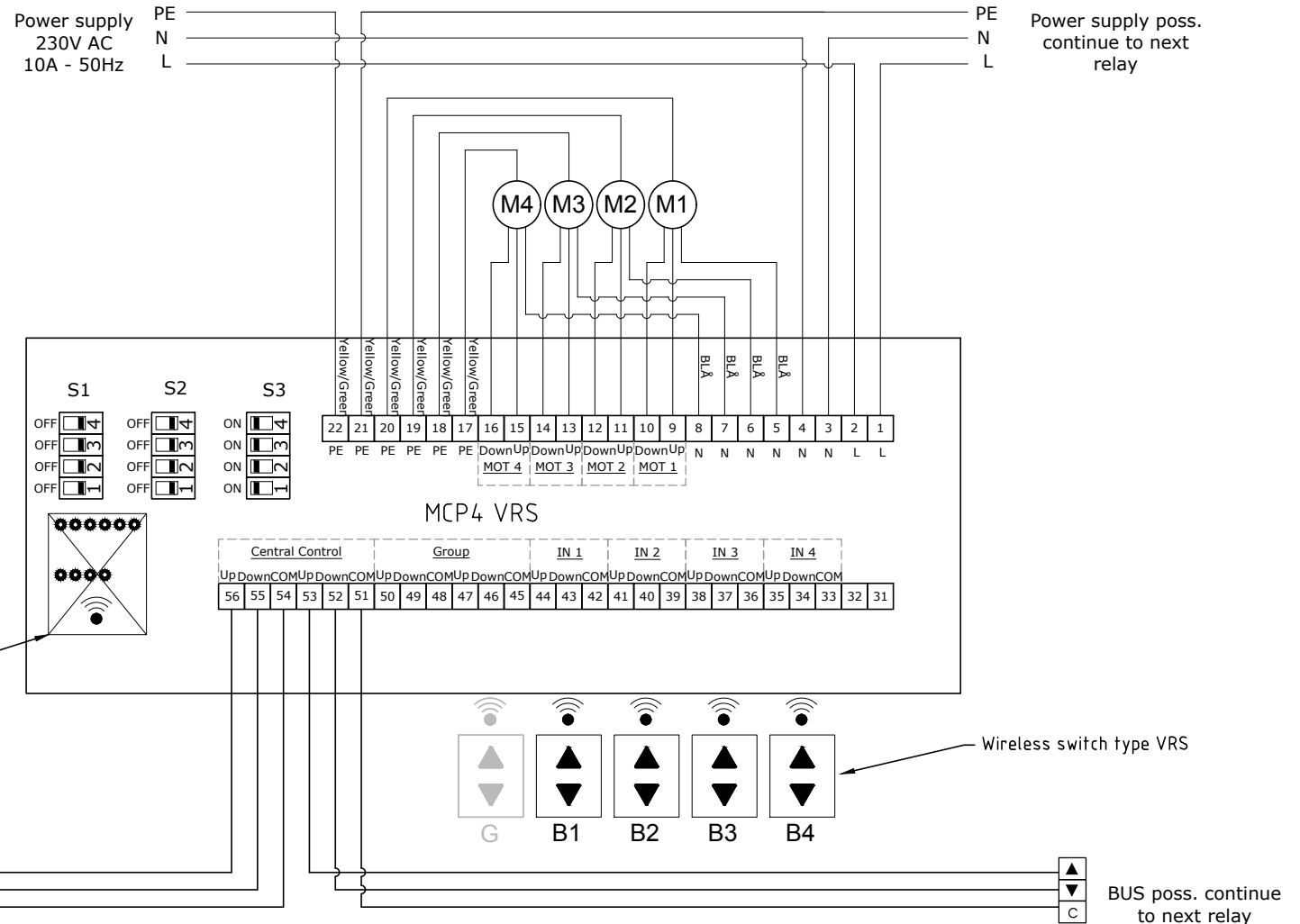
140-03A

- Data:**
1. Voltage: 230V./ 10A 50Hz
 2. Control voltage: Low voltage IB-signal
 3. Motor out max. 250V. / 3,15A per. out
 4. Temperature interval: 0 - 40°C (indoor installation)

Notice!
Motors may not be connected in parallel!
One motor per output only!

Notice! Remember to check switch settings!!

Switch S1				
Mode	1	2	3	4
Normal	OFF	OFF	OFF	OFF
IDS	ON	OFF	OFF	ON



Control station must be supplied from separate group.
The installation must be performed in accordance with the machine directive.

sunsync ™		Marketed by:	
		Blendex A/S Fischer-international	
Product: Principle diagram Sunsync 140		www.blendex.de www.fischer-international.de	
Type	Scale:	Revision	Product nr.:
Connection diagram relay box MCP4	Date 23.02.16	A: 07.11.16	STANDARD
+ VRS card for wireless switches	Sign.: KS	B:	Drawing nr
		C:	140-04A
		D:	
		E:	

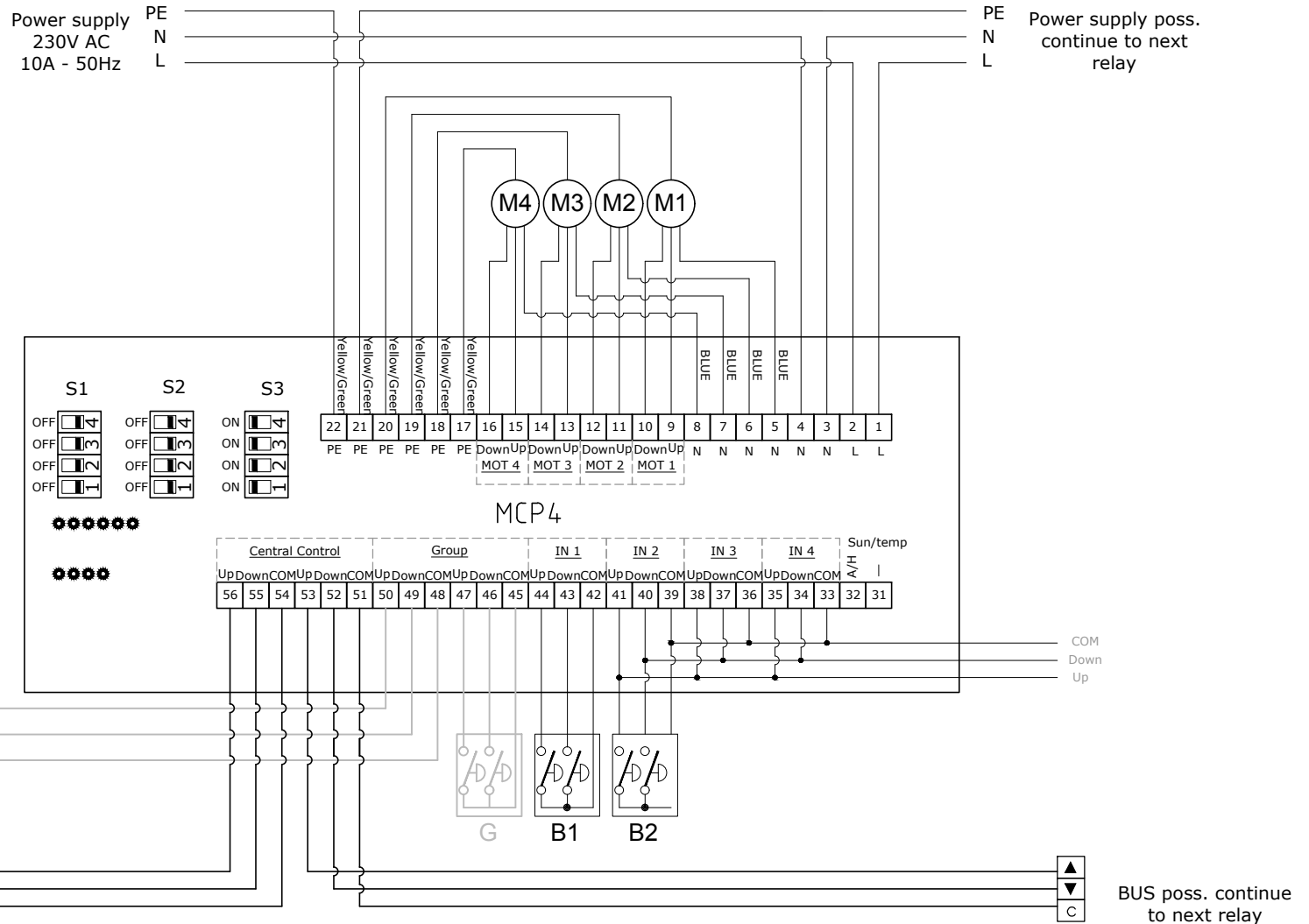
Data:

1. Voltage: 230V./ 10A 50Hz
2. Control voltage: Low voltage IB-signal
3. Motor out max. 250V. / 3,15A per. out
4. Temperature interval: 0 - 40°C (indoor installation)

Notice!
Motors may not be connected in parallel!
One motor per output only!

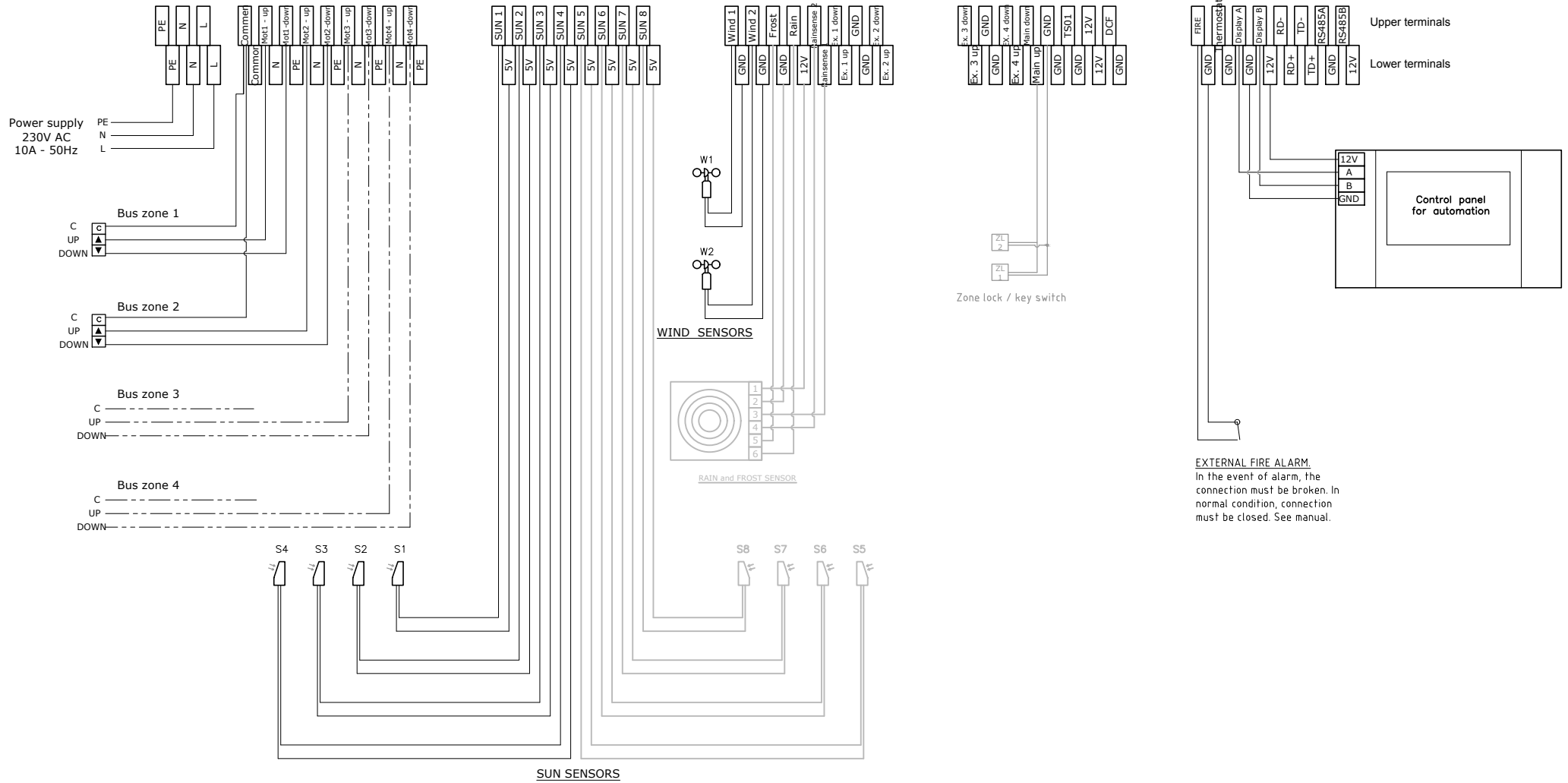
Notice! Remember to check switch settings!!

Switch S1				
Mode	1	2	3	4
Normal	OFF	OFF	OFF	OFF
IDS	ON	OFF	OFF	ON



Control station must be supplied from separate group.
The installation must be performed in accordance with the machine directive.

		Marketed by:		
		Blendex A/S Fischer-international		
Product: Principle diagram Sunsync 140			Revision	Product nr.:
Type	Scale:	Date 23.02.16	A: 07.11.16	STANDARD
Connection diagram MCP4			Sign.: KS	
1 switch to several motors				D:
			E:	140-05A



Control station must be supplied from separate group.
 The installation must be performed in accordance with the machine directive.

sunsync™

Marketed by:

Blendex A/S
 Fischer-international

www.blendex.dk
www.fischer-international.de

Product: Principle diagram Sunsync 140

Revision

Product nr.:

Type

Scale:

A: 07.11.16

STANDARD

Connection diagram MCP4

Date 23.02.16

B:

Drawing nr

1 switch to several motors

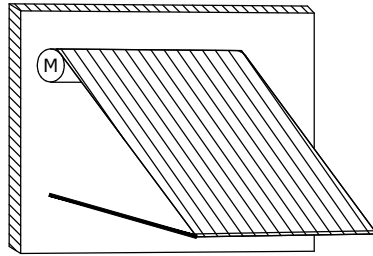
Sign.: KS

C:

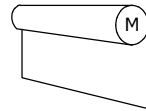
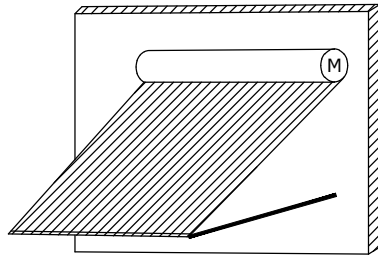
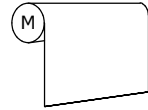
140-06A

E:

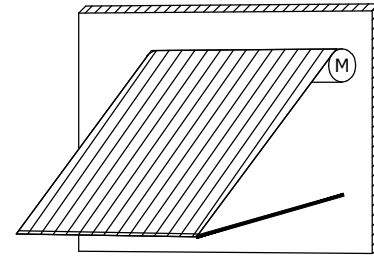
Awning



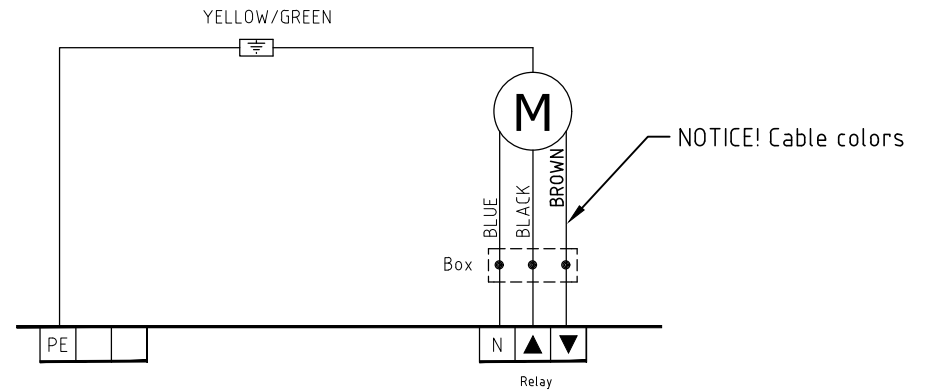
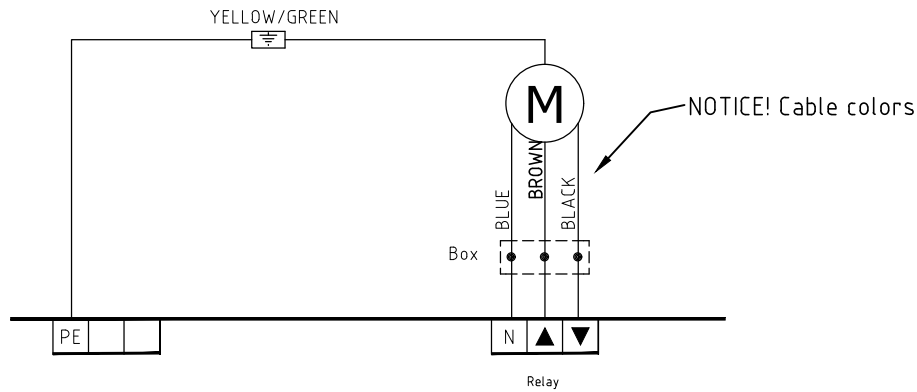
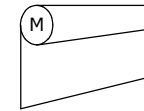
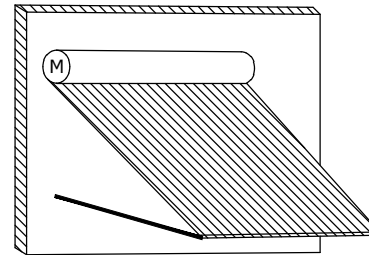
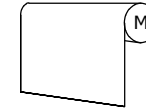
Screen



Awning



Screen



sunsync™

Marketed by:

Blendex A/S
Fischer-international

www.blendex.dk
www.fischer-international.de

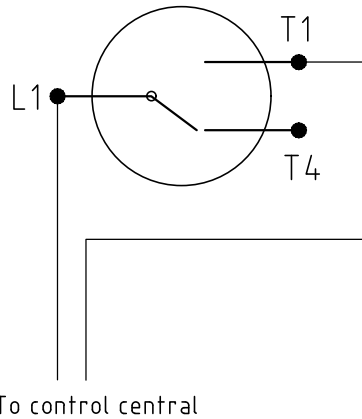
Product: Principle diagram Sunsync 140

Type
Motor connection in relay
Examples, different motor sides etc

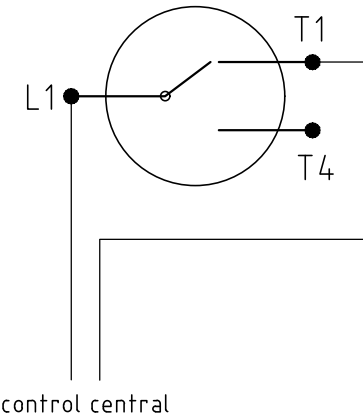
Scale:
Date 23.02.16
Sign.: KS

Revision
A: 07.11.16
B:
C:
D:
E:

Product nr.:
STANDARD
Drawing nr
140-07A



Zone lock / key switch in normal position



Zone lock / key switch in blocked position
Lock excl. Blendex

sunsync™

Marketed by:
Blendex A/S
Fischer-international

www.blendex.dk
www.fischer-international.dk

Product: Principle diagram Sunsync 140

Type
Connection diagram Zone lock /
Key switch

Scale:
Date 23.02.16
Sign.: KS

Revision
A: 07.11.16
B:
C:
D:
E:

Product nr.:
STANDARD
Drawing nr
140-08A