

Control station must be supplied from separate group.
The installation must be performed in accordance with the machine directive.

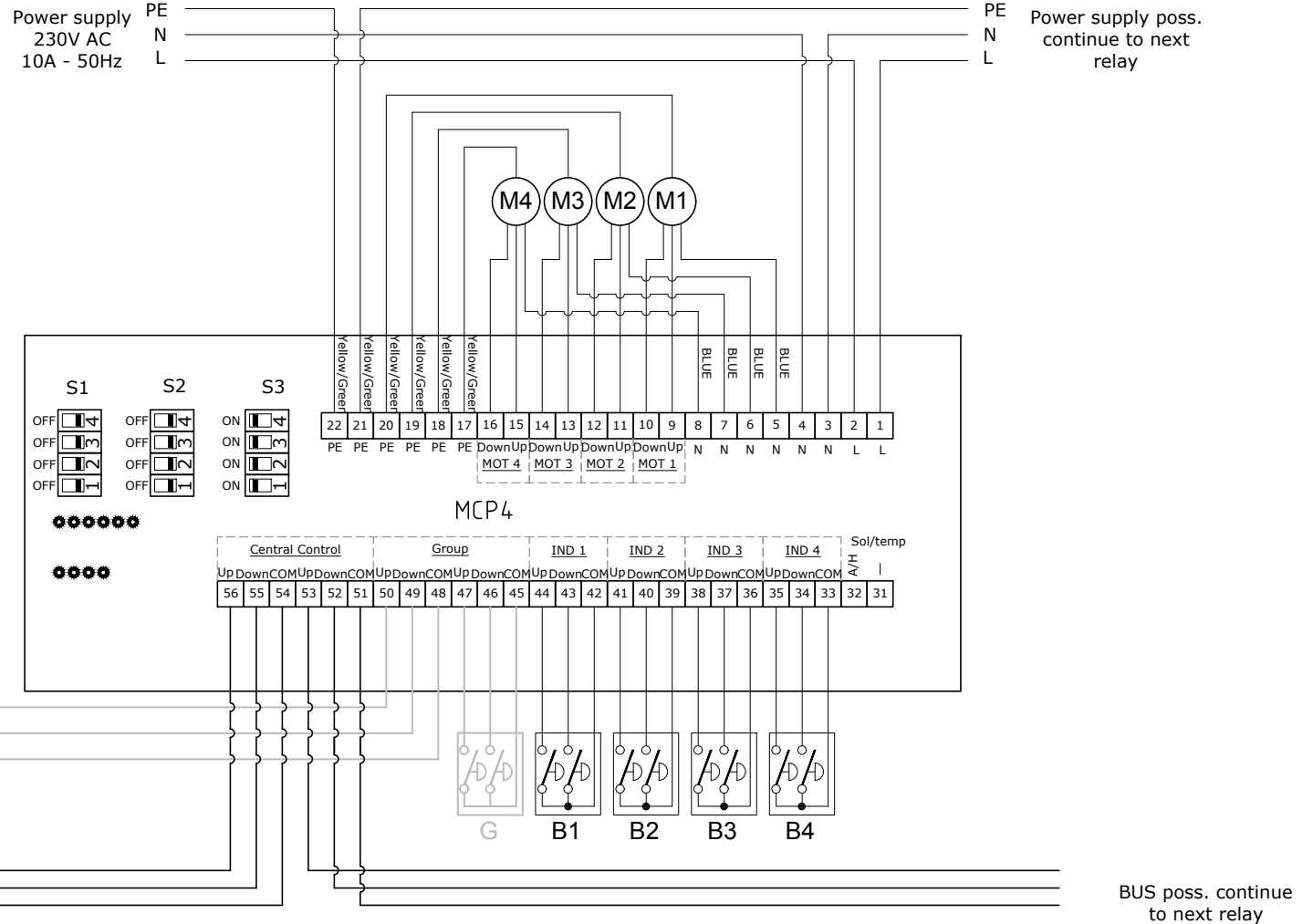
		Marketed by:	
		Blendex A/S Fischer-international	
Product: Principle diagram Sunsync 200		Revision A: 10.02.17	Product nr.: STANDARD
Type	Scale:	B:	Drawing nr 200-01A
Overview 4 zones	Date 23.02.16	C:	
	Sign.: KS	D: E:	

- Data:
1. Voltage: 230V / 10A 50Hz
 2. Control voltage: Low voltage IB-signal
 3. Motor out max. 250V. / 3,15A per. out
 4. Temperature interval: 0 - 40°C (indoor installation)

Notice!
Motors may not be connected in parallel!
One motor per output only!

Notice! Remember to check switch settings!!

Switch S1				
Mode	1	2	3	4
Normal	OFF	OFF	OFF	OFF
IDS	ON	OFF	OFF	ON



Control station must be supplied from separate group.
The installation must be performed in accordance with the machine directive.

sunsync™

Marketed by:

Blendex A/S
Fischer-international

www.blendex.dk
www.fischer-international.de

Product: Principle diagram Sunsync 200

Type
Connection diagram relay box MCP4

Scale:
Date 23.02.16
Sign.: KS

Revision
A: 07.11.16
B:
C:
D:
E:

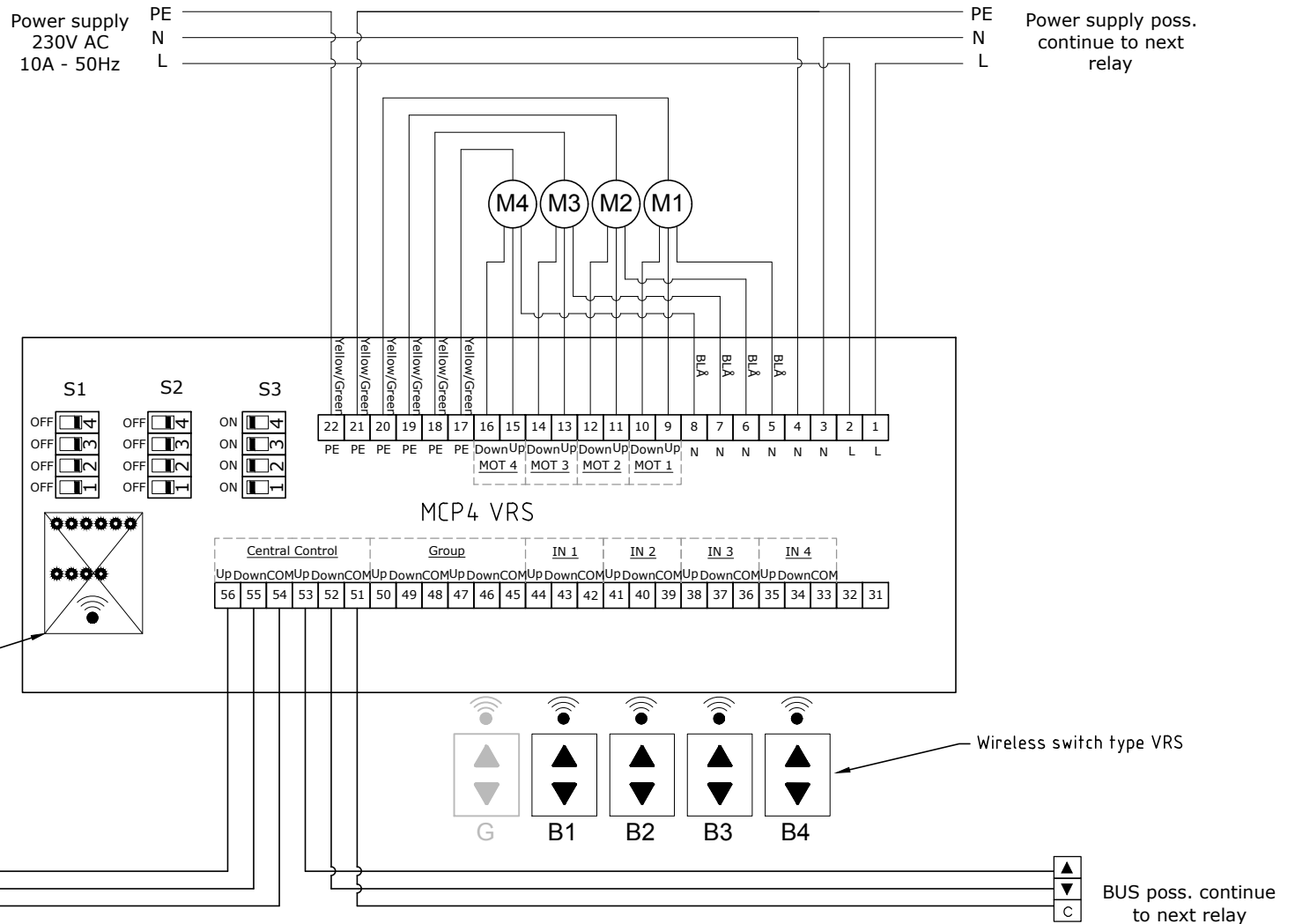
Product nr.:
STANDARD
Drawing nr
200-02A

- Data:
1. Voltage: 230V./ 10A 50Hz
 2. Control voltage: Low voltage IB-signal
 3. Motor out max. 250V. / 3,15A per. out
 4. Temperature interval: 0 - 40°C (indoor installation)

Notice!
Motors may not be connected in parallel!
One motor per output only!

Notice! Remember to check switch settings!!

Switch S1				
Mode	1	2	3	4
Normal	OFF	OFF	OFF	OFF
IDS	ON	OFF	OFF	ON



Control station must be supplied from separate group.
The installation must be performed in accordance with the machine directive.

sunsync™

Marketed by:

Blendex A/S
Fischer-international

www.blendex.de
www.fischer-international.de

Product: Principle diagram Sunsync 200

Type
Connection diagram relay box MCP4
+ VRS card for wireless switches

Scale:
Date 23.02.16
Sign.: KS

Revision
A: 07.11.16
B:
C:
D:
E:

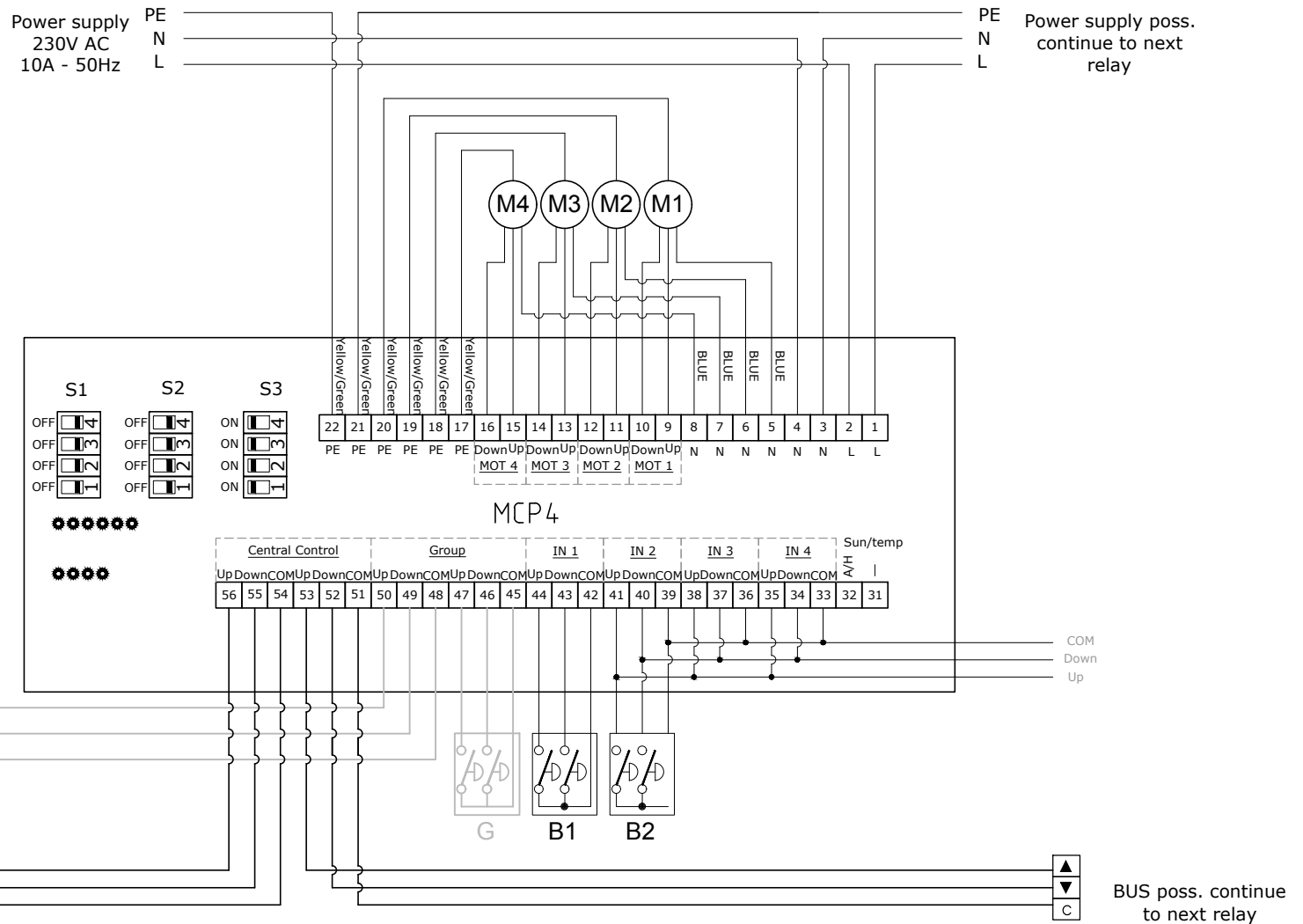
Product nr.:
STANDARD
Drawing nr
200-03A

- Data:
1. Voltage: 230V./ 10A 50Hz
 2. Control voltage: Low voltage IB-signal
 3. Motor out max. 250V. / 3,15A per. out
 4. Temperature interval: 0 - 40°C (indoor installation)

Notice!
Motors may not be connected in parallel!
One motor per output only!

Notice! Remember to check switch settings!!

Switch S1				
Mode	1	2	3	4
Normal	OFF	OFF	OFF	OFF
IDS	ON	OFF	OFF	ON



Control station must be supplied from separate group.
The installation must be performed in accordance with the machine directive.

sunsync™

Marketed by:

Blendex A/S
Fischer-international

www.blendex.de
www.fischer-international.de

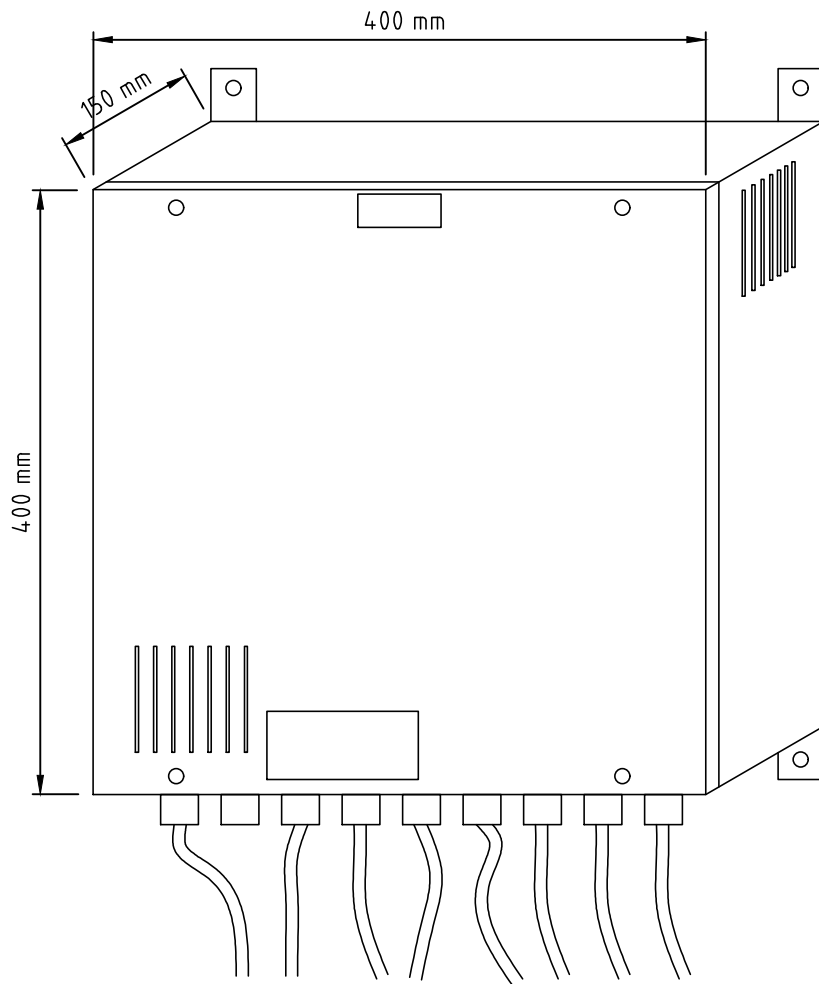
Product: Principle diagram Sunsync 200

Type
Connection diagram relay box MCP4
Several motors on one switch

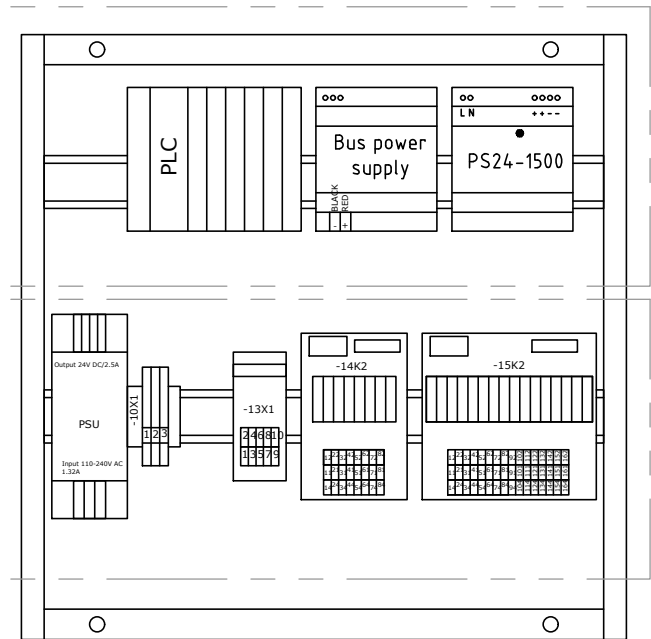
Scale:
Date 23.02.16
Sign.: KS

Revision
A: 07.11.16
B:
C:
D:
E:

Product nr.:
STANDARD
Drawing nr
200-04A



See drawing 200-07



See drawing 200-06

sunsync™

Marketed by:

Blendex A/S
Fischer-international

www.blendex.dk
www.fischer-international.de

Product: Principle diagram Sunsync 200

Revision

Product nr.:

Type

Scale:

A: 07.11.16

STANDARD

Connection diagram for Sunsync 200

Date 23.02.16

B:

Drawing nr

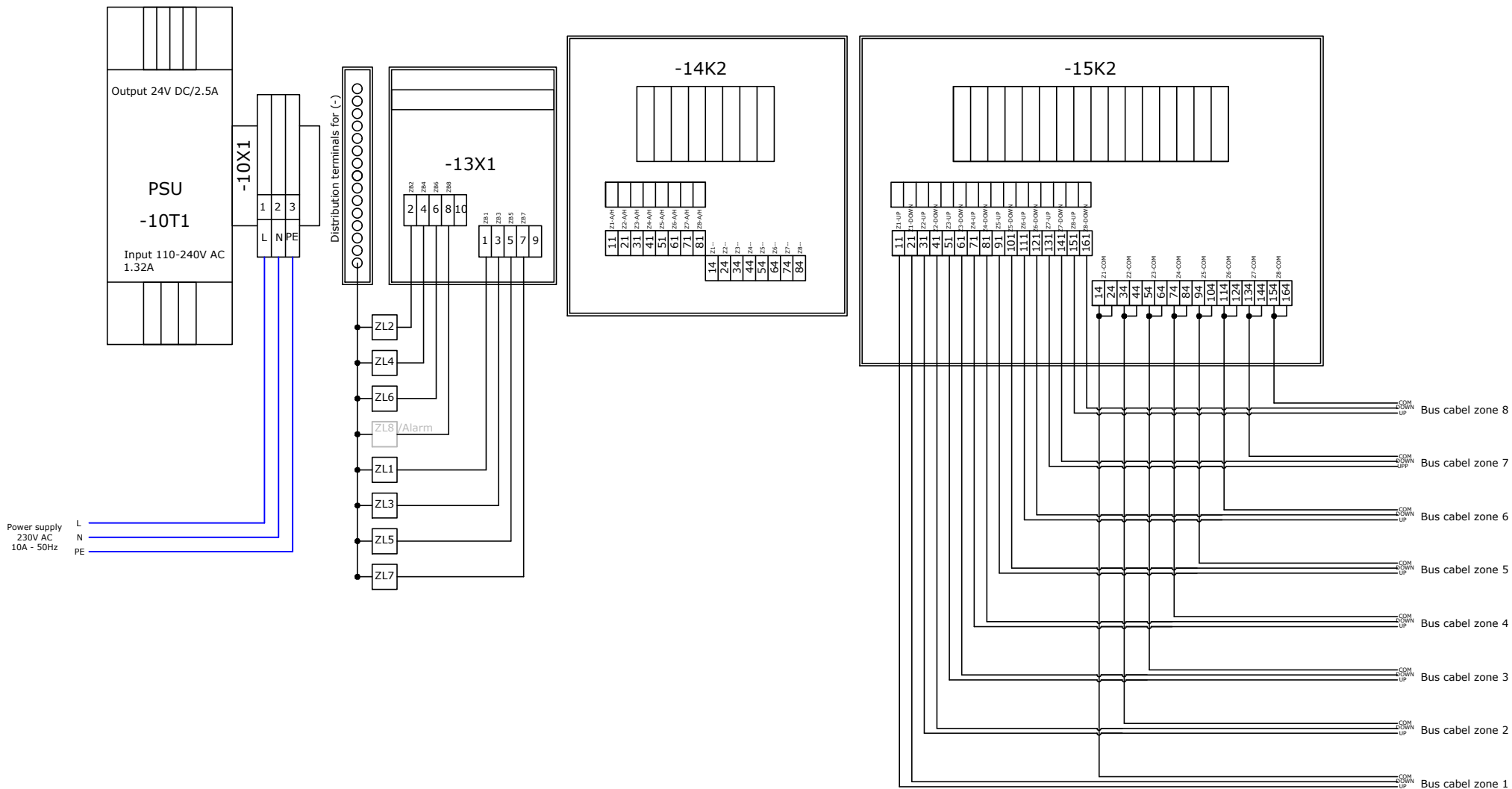
Sign.: KS

C:

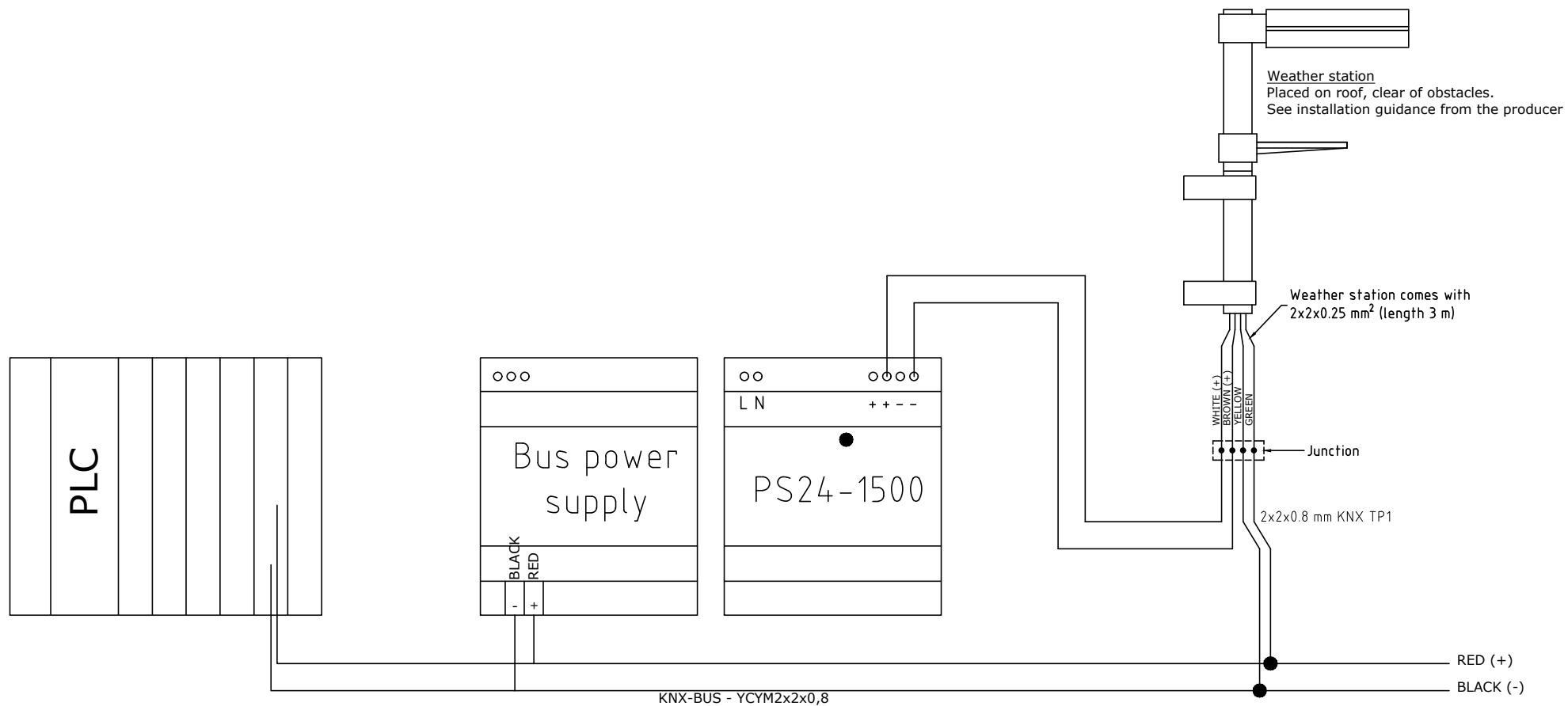
200-05A

D:

E:



		Marketed by:	
		Blendex A/S Fischer-international	
Product: Principle diagram Sunsync 200		www.blendex.dk www.fischer-international.de	
Type	Scale:	Revision A: 10.02.17 B: C: D: E:	Product nr.: STANDARD Drawing nr 200-06A
Connection diagram Sunsync 200	Date 23.02.16		
Bus cable connections	Sign.: KS		



sunsync™

Marketed by:

Blendex A/S
Fischer-international

www.blendex.dk
www.fischer-international.de

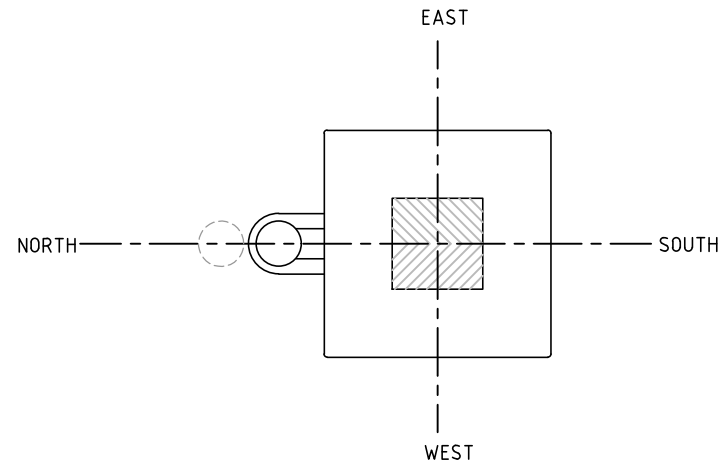
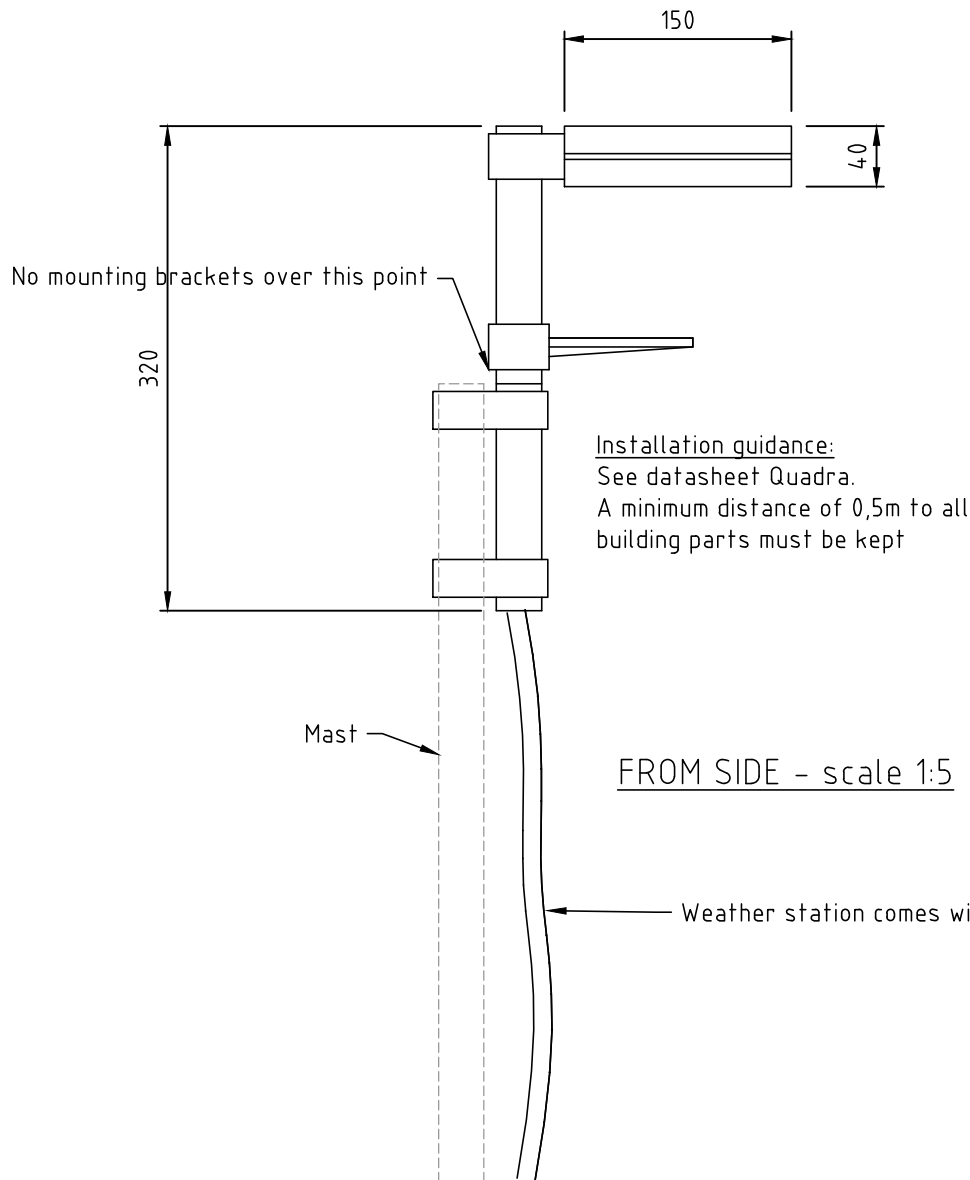
Product: Principle diagram Sunsync 200

Type
Connection diagram Sunsync 200
Connection of weather station

Scale:
Date 23.02.16
Sign.: KS

Revision
A: 07.11.16
B:
C:
D:
E:

Product nr.:
STANDARD
Drawing nr
200-07A



sunsync™

Marketed by:

Blendex A/S
Fischer-international

www.blendex.dk
www.fischer-international.de

Product: Principle diagram Sunsync 200

Type
Installation of weather station

Scale:
Date 23.02.16
Sign.: KS

Revision
A: 07.11.16
B:
C:
D:
E:

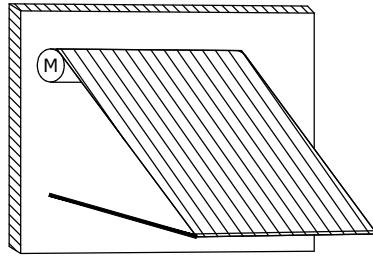
Product nr.:

STANDARD

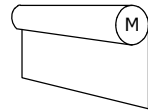
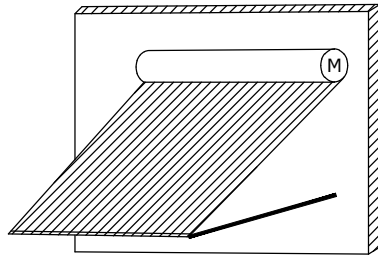
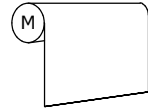
Drawing nr

200-08A

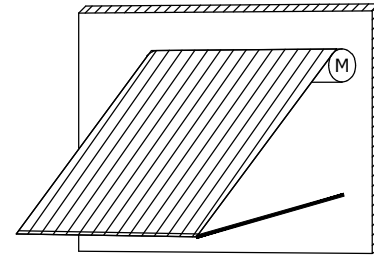
Awning



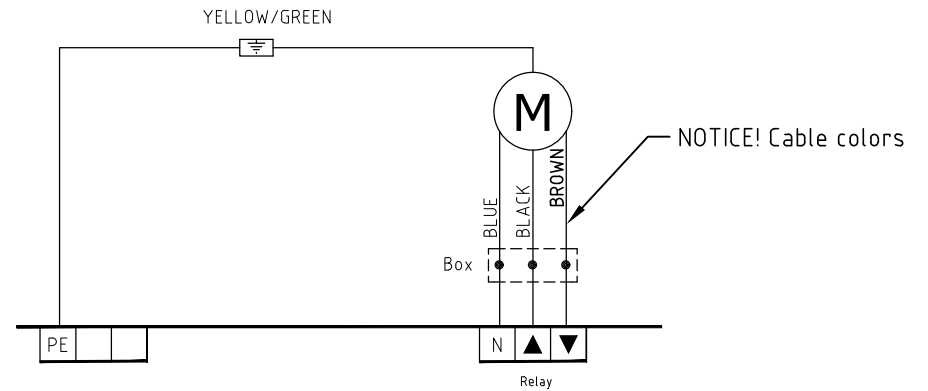
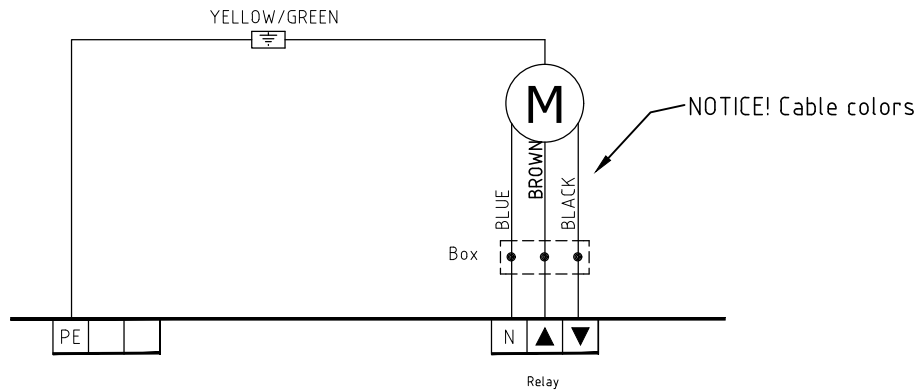
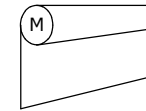
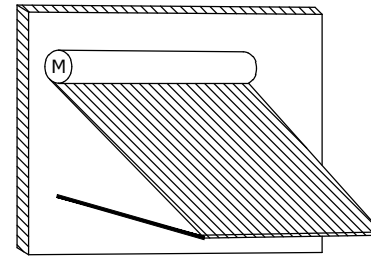
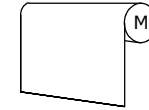
Screen



Awning



Screen



sunsync™

Marketed by:

Blendex A/S
Fischer-international

www.blendex.dk
www.fischer-international.de

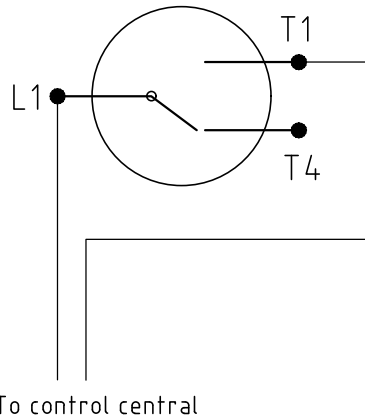
Product: Principle diagram Sunsync 200

Type
Motor connection in relay
Examples, different motor sides etc

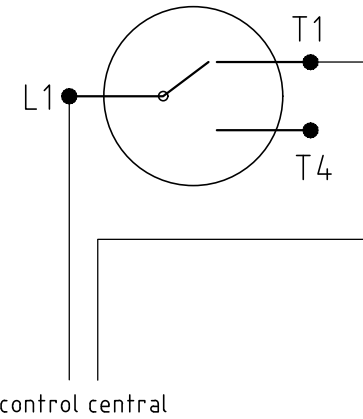
Scale:
Date 23.02.16
Sign.: KS

Revision
A: 07.11.16
B:
C:
D:
E:

Product nr.:
STANDARD
Drawing nr
200-09A



Zone lock / key switch in normal position



Zone lock / key switch in blocked position
Lock excl. Blendex

sunsync™

Marketed by:

Blendex A/S
Fischer-international

www.blendex.dk
www.fischer-international.dk

Product: Principle diagram Sunsync 200

Revision

Product nr.:

Type

Scale:

A: 07.11.16

STANDARD

Connection diagram Zone lock /
Key switch

Date 23.02.16

C:

Drawing nr

Sign.: KS

D:

200-10A

E: