

Cabel type A: min. 3x1.5 mm²
 Cabel type B: min. 4x0.75 mm²
 Cabel type C: min. 3x0.8 mm (4x0.8v.option aut/man.)
 Cabel type D: min. 2x0.8 mm (shielded)
 Cabel type E: min. 2x0.8 mm

- M Motor
- B Local switch
- G Group switch
- ZL Zone lock / key switch

Control station must be supplied from separate group.

The installation must be performed in accordance with the machine directive.

sunsync™

Marketed by:

Blendex A/S
Fischer-international

www.blendex.dk
www.fischer-international.de

Product: Principle diagram Sunsync 110A

Type
Overview

Scale:
Date 23.02.16
Sign: KS

Revision
A: 07.11.16
B:
C:
D:
E:

Product nr.:

STANDARD

Drawing nr

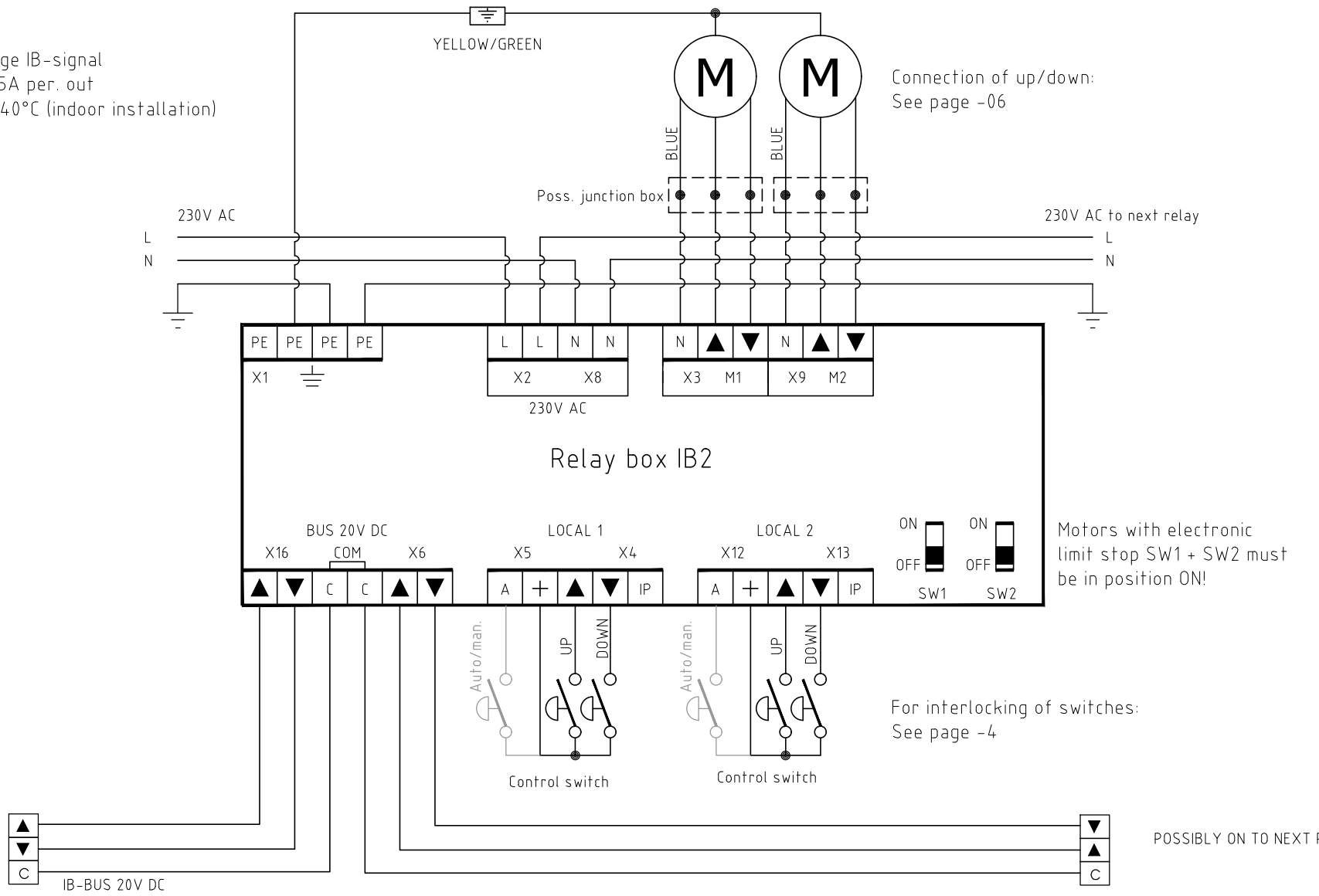
110A-01A

Data:

1. Voltage: 230V./ 10A 50Hz
2. Control voltage: Low voltage IB-signal
3. Motor out max. 250V. / 3,15A per. out
4. Temperature interval: 0 - 40°C (indoor installation)

Notice!

Motors may not be connected in parallel!
One motor per output only!



Connection of up/down:
See page -06

Motors with electronic limit stop SW1 + SW2 must be in position ON!

For interlocking of switches:
See page -4

POSSIBLY ON TO NEXT F

Control station must be supplied from separate group.
The installation must be performed in accordance with the machine directive.

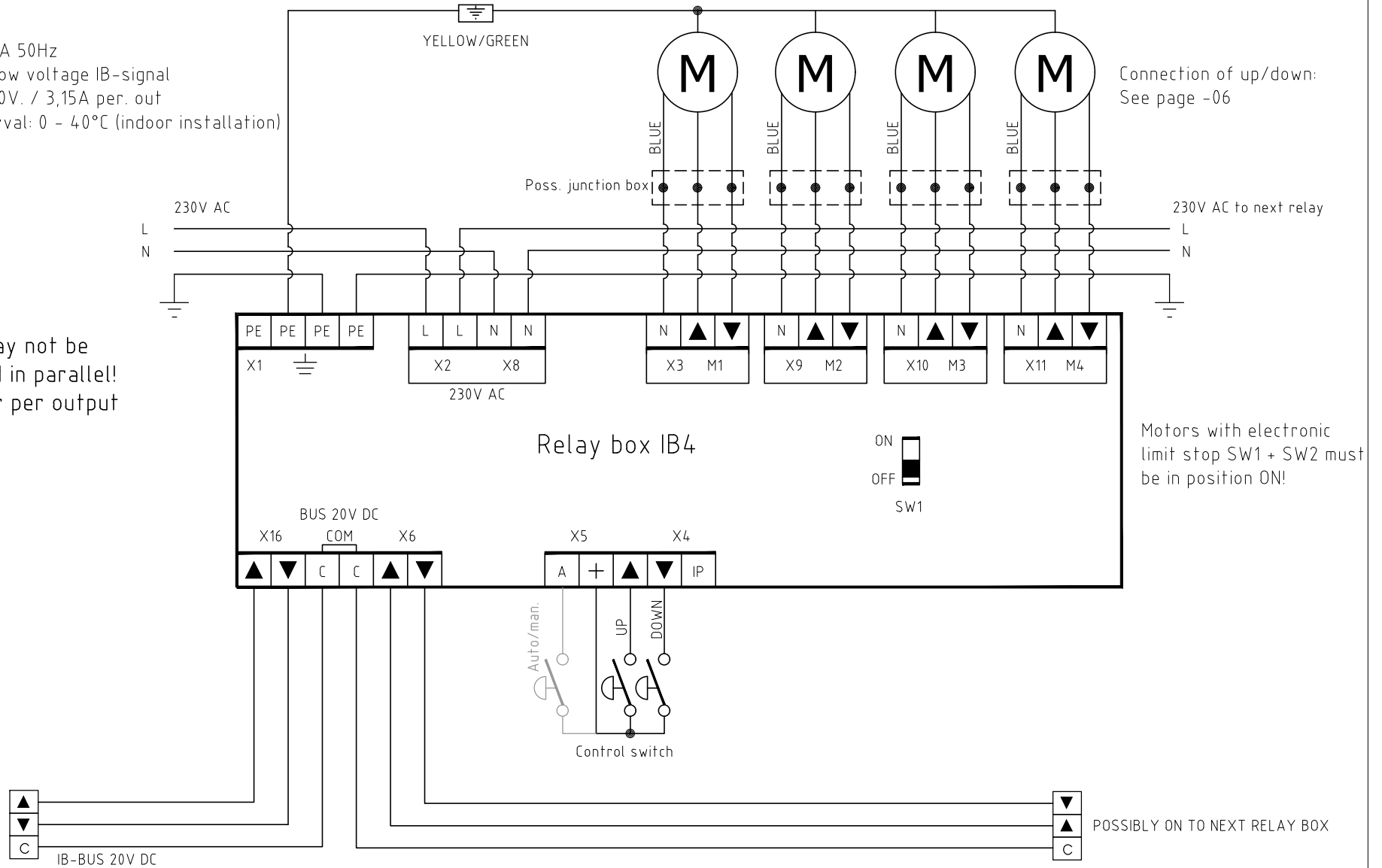
		Marketed by:	
		Blendex A/S Fischer-international	
Product: Principle diagram Sunsync 110A		Revision A: 07.11.16 B: C: D: E:	Product nr.: STANDARD
Type Connection diagram relay box IB2		Scale: Date 23.02.16 Sign.: KS	Drawing nr 110A-02A

Data:


1. Voltage: 230V./ 10A 50Hz
2. Control voltage: Low voltage IB-signal
3. Motor out max. 250V. / 3,15A per. out
4. Temperature interval: 0 - 40°C (indoor installation)

Connection of up/down:
See page -06

Notice!
Motors may not be
connected in parallel!
One motor per output
only!



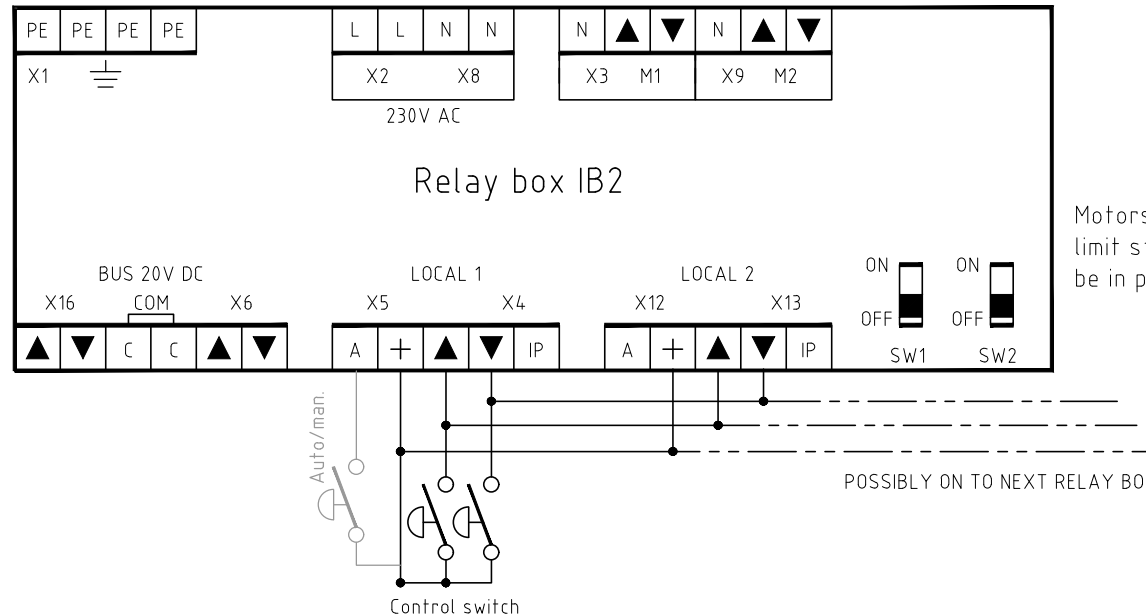
Control station must be supplied from
separate group.
The installation must be performed in
accordance with the machine directive.

		Marketed by:		Revision A: 07.11.16 B: C: D: E:	Product nr.: STANDARD
		Blendex A/S Fischer-international			
Product: Principle diagram Sunsync 110A			Scale:	Drawing nr 110A-03A	
Type Connection diagram relay box IB4			Date 23.02.16		
			Sign.: KS		

Data:

1. Voltage: 230V./ 10A 50Hz
2. Control voltage: Low voltage IB-signal
3. Motor out max. 250V. / 3,15A per. out
4. Temperature interval: 0 - 40°C (indoor installation)

Notice!
Motors may not be
connected in parallel!
One motor per output
only!

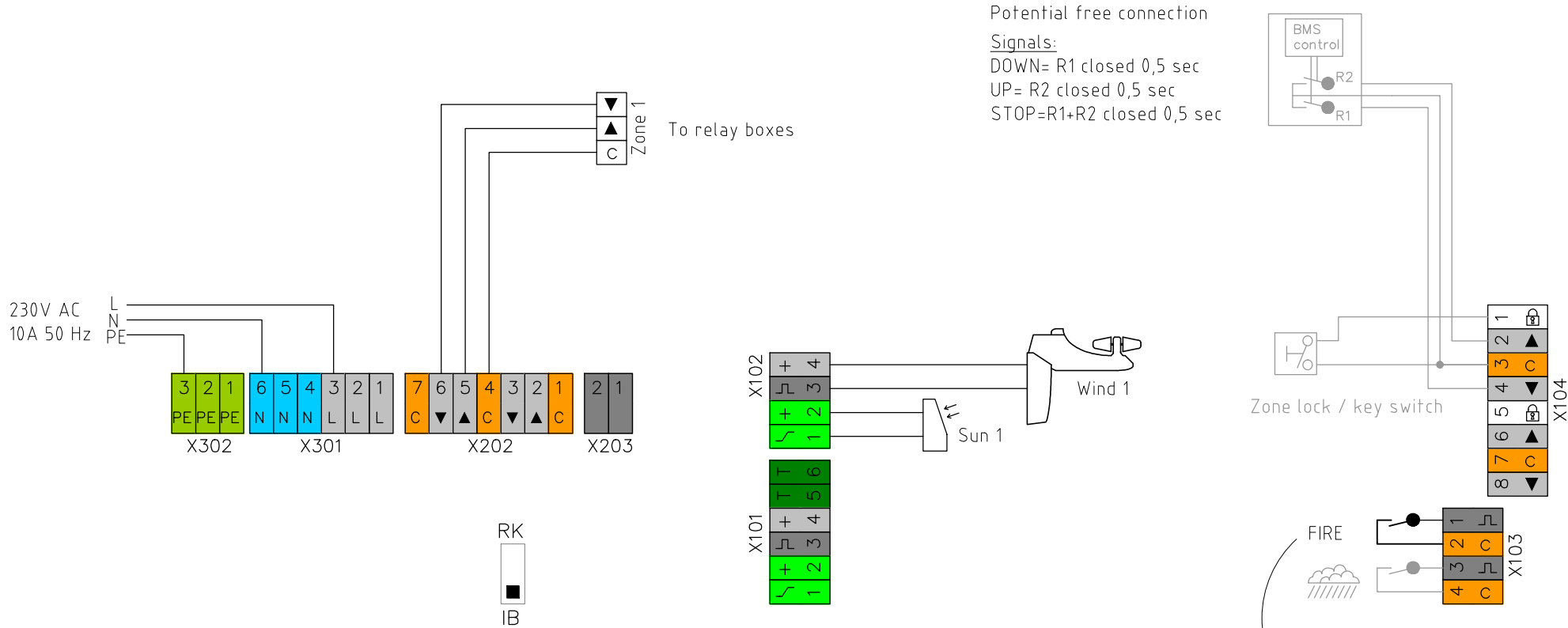


Motors with electronic
limit stop SW1 + SW2 must
be in position ON!

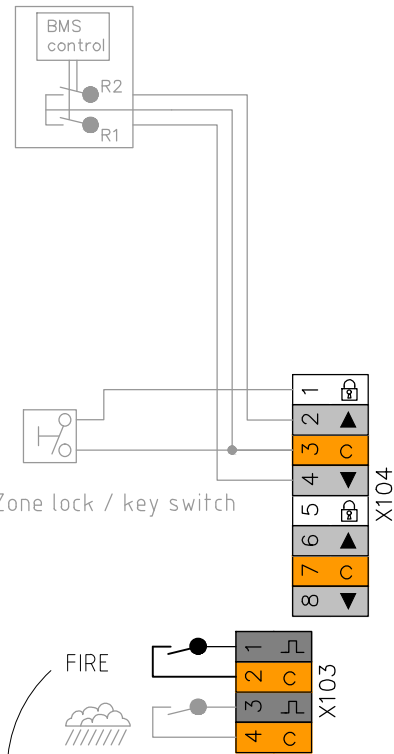
If up/down-activation controls several motors.

Control station must be supplied from
separate group.
The installation must be performed in
accordance with the machine directive.

		Marketed by:		Revision A: 07.11.16 B: C: D: E:	Product nr.: STANDARD
		Blendex A/S Fischer-international			
Product: Principle diagram Sunsync 110A			Scale:	Drawing nr 110A-04A	
Type		Date	23.02.16		
Up/down jumper connection		Sign.:	KS		

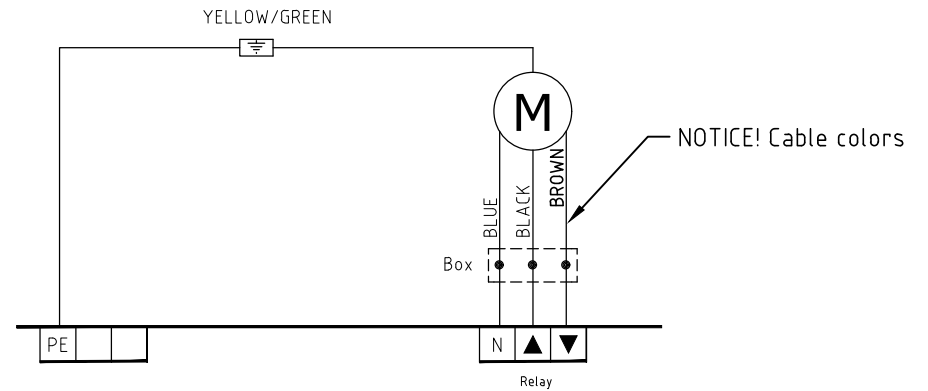
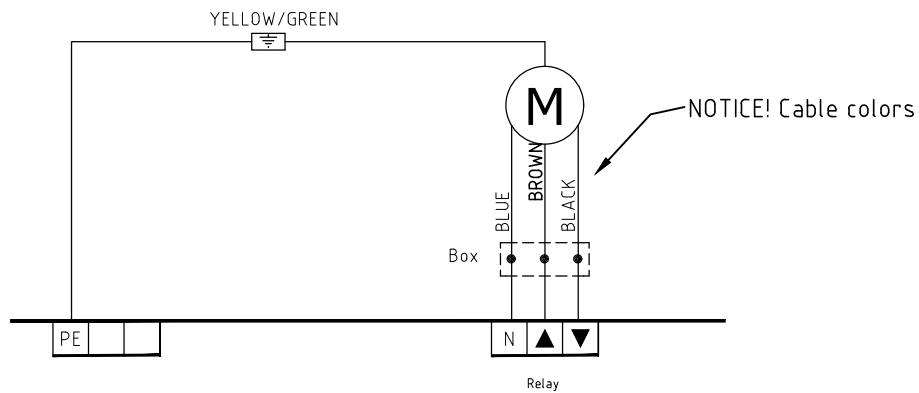
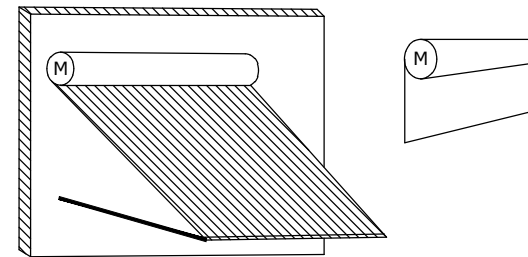
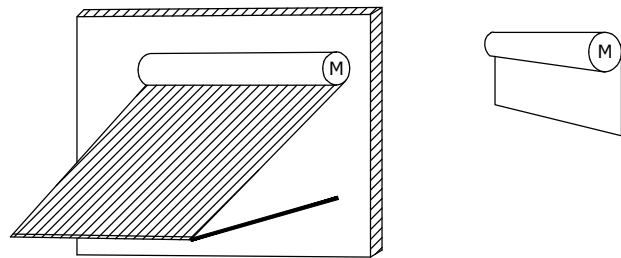
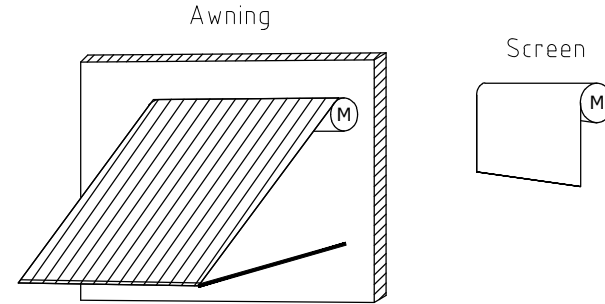
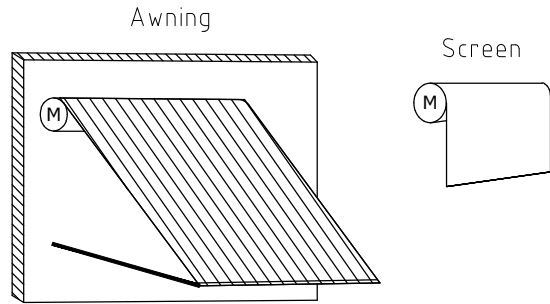


Potential free connection
 Signals:
 DOWN= R1 closed 0,5 sec
 UP= R2 closed 0,5 sec
 STOP=R1+R2 closed 0,5 sec



EXTERNAL FIRE ALARM.
 In the event of alarm, the connection must be broken. In normal condition, connection must be closed. See manual.

		Marketed by:		Revision A: 07.11.16 B: C: D: E:	Product nr.: STANDARD
		Blendex A/S Fischer-international			
Product: Principle diagram Sunsync 110A			Scale:		
Type Connection diagram Control station solo 1			Date 23.02.16		
			Sign.: KS		



sunsync™

Marketed by:

Blendex A/S
Fischer-international

www.blendex.dk
www.fischer-international.de

Product: Principle diagram Sunsync 110A

Revision

Product nr.:

Type

Scale:

A: 07.11.16

STANDARD

Motor connection in relay

Date 23.02.16

B:

C:

D:

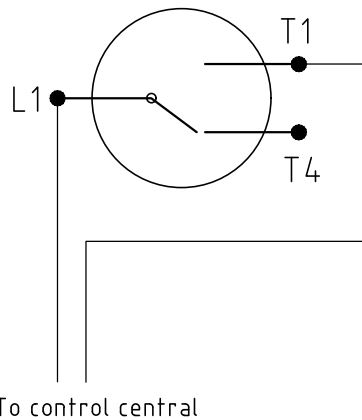
E:

Examples, different motor sides etc

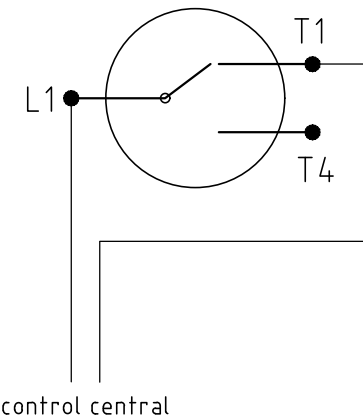
Sign.: KS

Drawing nr

110A-06A



Zone lock / key switch in normal position



Zone lock / key switch in blocked position
Lock excl. Blendex

sunsync™

Marketed by:

Blendex A/S
Fischer-international

www.blendex.dk
www.fischer-international.dk

Product: Principle diagram Sunsync 110A

Revision

Product nr.:

Type

Scale:

A: 07.11.16

STANDARD

Connection diagram Zone lock /
Key switch

Date 23.02.16

C:

Drawing nr

Sign.: KS

D:

110A-07A

E: